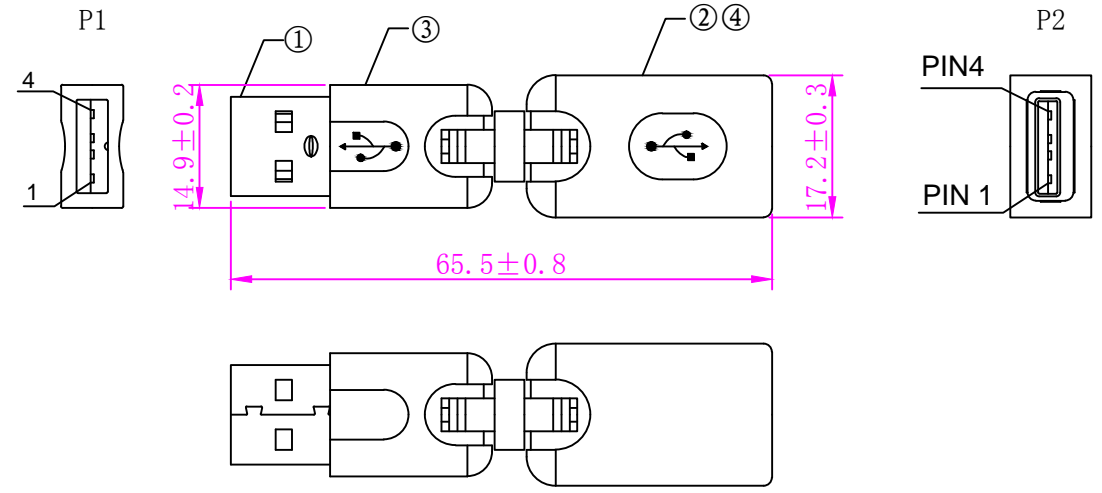


REV	DESCRIPTION OF CHANGE	DATE



PIN OUT

P1		P2
1	—————	1
2	—————	2
3	—————	3
4	—————	4

ELECTRICAL TEST:
 <1>.100% OPEN SHORT & MISS WIRE TEST.
 <2>.INSULATION RESISTANCE:DC 300V 5Mohm MIN.
 <3>.CONDUCTOR RESISTANCE: 5 ohm MAX

④	SHELL	USB 2.0 A FEMALE ABS BLACK SHELL	1SET	
③	SHELL	USB 2.0 A MALE ABS BLACK SHELL	1SET	
②	CONN 2	USB 2.0 A FEMALE, Nickel PLATED	1PCS	
①	CONN 1	USB 2.0 A MALE, Nickel PLATED	1PCS	
NO.	SPECIFICATION STANDARD		QTY	REMARK

SCALE 1:1 UNIT mm	DWG NO	DESIGN	Song	CHECKED	APPROVED
	TW102A040		REV	A1	DATE 2016-01-21