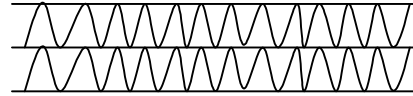
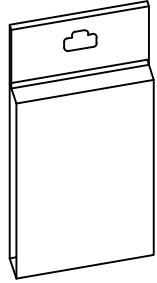
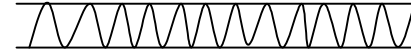




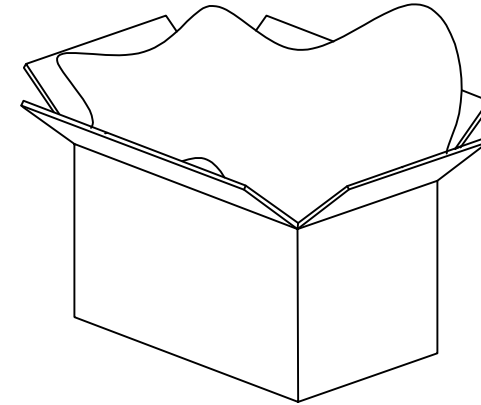
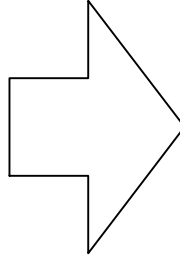
Five layer corrugated carton:



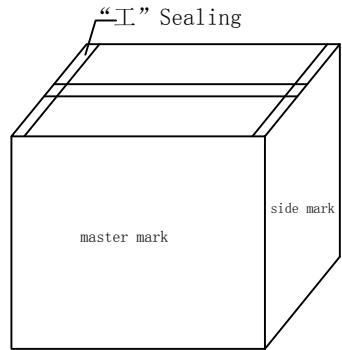
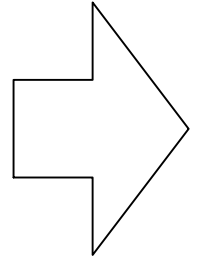
Three layer corrugated carton (inner carton):



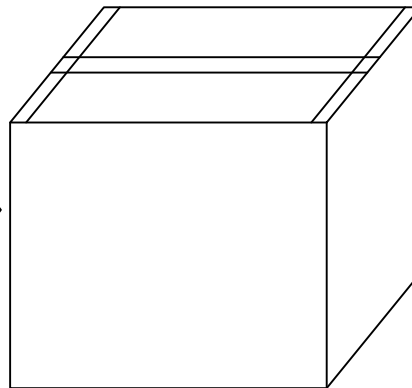
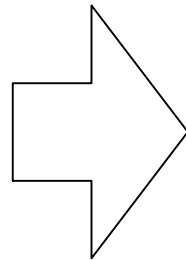
1PCS/CN BOX



Waterproof bag+inner carton



Outer carton



Outer carton

UNO ELECTRONIC LIMITED (HK)

CUSTOMER	CEI Conrad Electronic International(HK) Ltd	ITEM NO.	1359891		
PRODUCT NAME	PACKING	UNO ITEM NO.	UNIT	MM	
	DRAWNBY	CHECKBY	APPOBY	DATE	
BY	CHK	REVISION RECORD MODIFICATIONS	DATE	REV.	2015-06-08

NEW

2015-06-08

A

DRAWNBY

CHECKBY

APPOBY

DATE

BY

CHK

REVISION RECORD MODIFICATIONS

DATE

REV.

FERGUS

2015-06-08