

# **CURVED MOUNT** specially for **CURVED TV**

You will be surprised about  
the qualities and mounting  
way of Lumi's latest mounts  
specially design for **Curved TV**  
to enhance your TV watching  
experience.



**LPA39-446DC**



Perfect fit your **Curved TV** ,  
Theater-like **experience!**

# CURVED MOUNT

especially for CURVED TV

**LPA39-446DC**

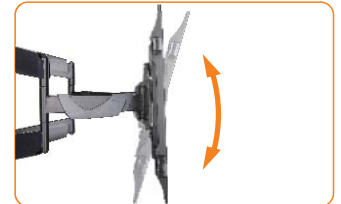
**Feature**



Swiveling arms offer maximum viewing flexibility

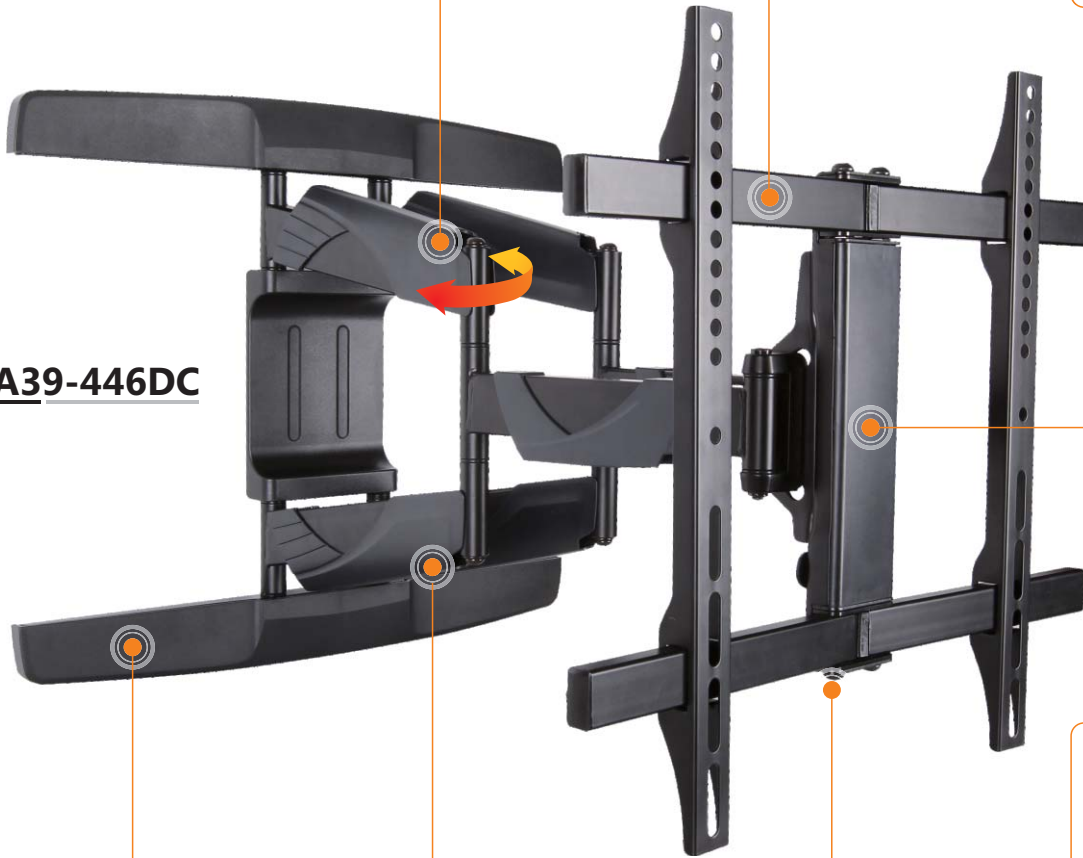


Slight bended mounting plate are closer to the curved TV



Freely titling allows easy TV angle adjustment

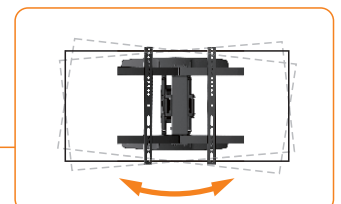
**LPA39-446DC**



Decorative covers present elegant look from all angles



Integrated cable management keeps cables organized



Built-in level adjustment ensures perfect positioning



Low profile makes appearance a visually appealing

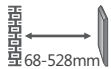
# CURVED MOUNT

## especially for CURVED TV

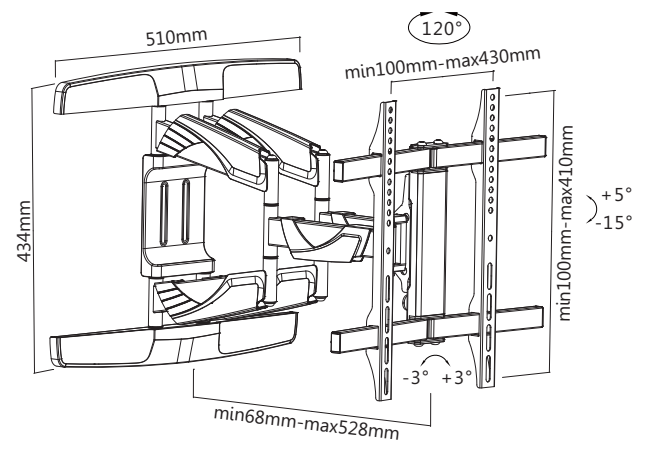
**LPA39-446DC**

MOST  
**32"-65"**  
MAX VESA 400x400

**45kg/99lbs**



VESA Compatible  
200x200 400x200  
300x300 400x400



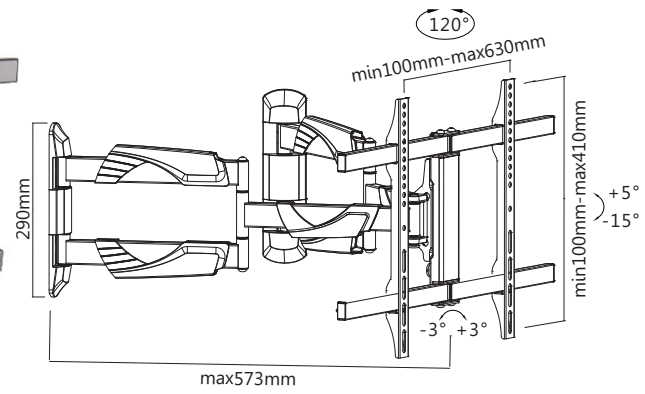
**LPA39-466C**

MOST  
**37"-70"**  
MAX VESA 600x400

**45kg/99lbs**



VESA Compatible  
200x200 400x200  
300x300 400x400  
600x400



---

## Product Feature

---

- \* New Curved and FFlat Panel TV mount
  - \* Fit for most 32"-65" Flat & Curved TVs
- Slight bended mounting plate are closer to the curved TV
- 1.Low profile makes appearance visually appealing
  - 2.Integrated cable management keep cables organized.
  - 3.Built-in level adjustment ensures perfect positioning
  - 4.Swiveling arms offer maximum viewing flexibility
  - 5.Decorative covers present elegant look

---

## Technical data

---

- \* +5°~ -15° tilt; +60°~ -60° swivel; +3°~ -3° level adjustment
- \* VESA compliant: 200X200, 200X400, 300X300, 400X400
- \* Mounting Profile: 68-528mm
- \* Support screens up to 45kgs/99lbs

---

## Standard data

---

- Dimensions: 586x434x528mm
- Weight: 10.0 KG
- Operating temperature and humidity : -30° - 80° ;1%-80%
- Storage temperature and humidity: : -30° - 80° ;1%-80%