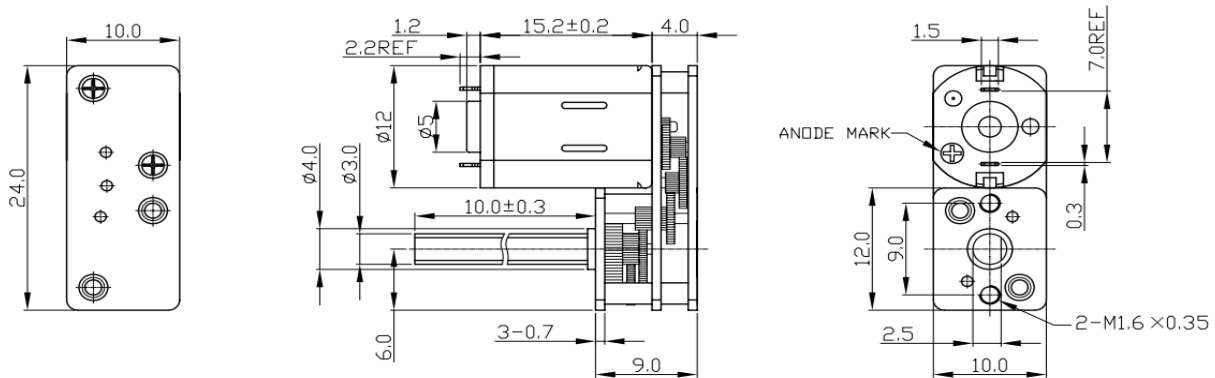
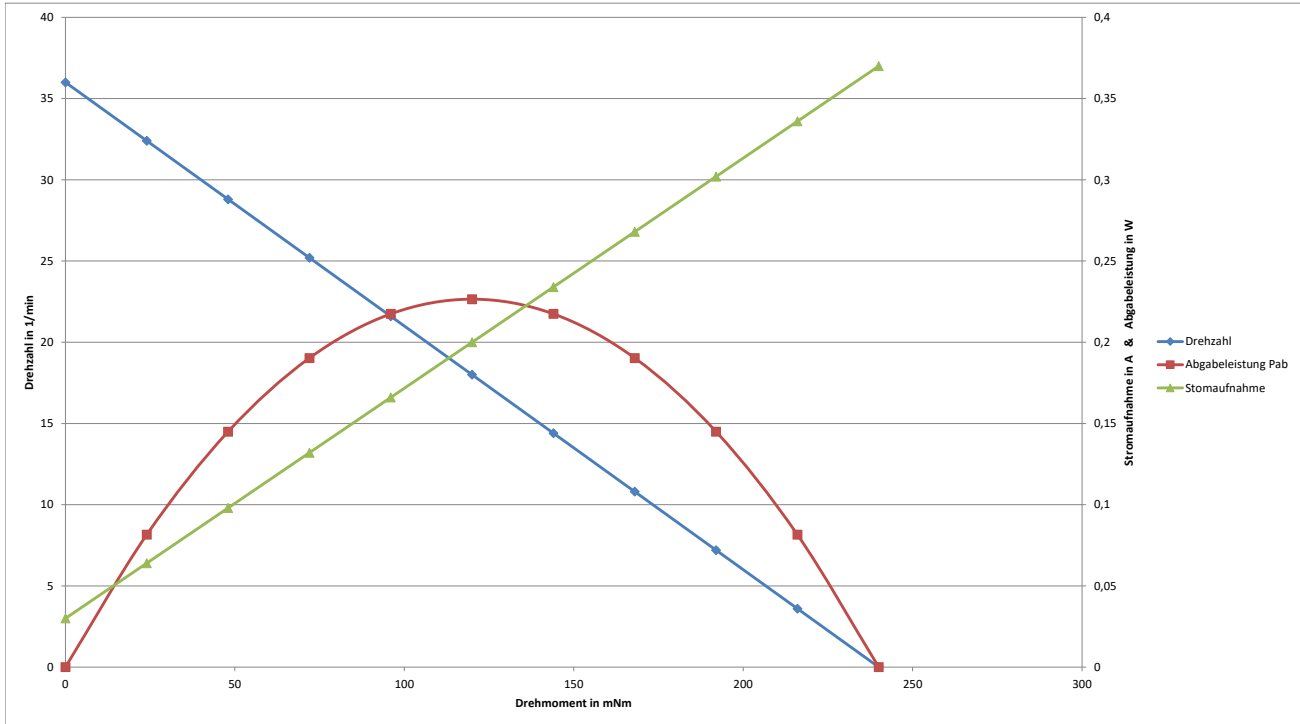


MODEL	VOLTAGE		NO LOAD		AT MAXIMUM EFFICIENCY			STARTING		max. OUTPUT POWER W	POLES	CAPACITOR	BRUSHES	
	Operating Range	Nominal	Speed	Current	Speed	Current	Torque	Output Power	Current					Torque
	VDC	VDC	rpm	A	rpm	A	mNm	W	A					mNm
SGM24F-N20VAV	2,0-6,0	5,0	36	0,03	28	0,10	49,00	0,15	0,37	240,00	3	none	metal	



Irrtum und Druckfehler vorbehalten / Errors and Omissions excepted