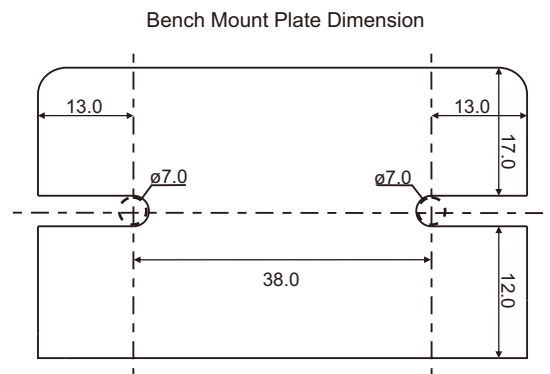


DATASHEET

Bench mount ground with two banana jacks

Version 04/17

Item no. 1364547-1364550



Item no.	Product description	Model no.	Stud size	Stretched cord length (cm)
1364547	Bench mount ground with two banana jacks, two 4mm stud, 6 feet cord, terminal ring	EBO-SETW-4-183-R	4mm	182.88
1364548	Bench mount ground with two banana jacks, two 4mm stud, 6 feet cord, alligator clip	EBO-SETW-4-183-S/K	4mm	182.88
1364549	Bench mount ground with two banana jacks, two 10mm stud, 6 feet cord, terminal ring	EBO-SETW-10-183-R	10mm	182.88
1364550	Bench mount ground with two banana jacks, two 10mm stud, 6 feet cord, alligator clip	EBO-SETW-10-183-S/K	10mm	177.00

Resistance: $< 10^6$ Ohms

Tolerance: +/- 1mm

Tolerance (Cord length): +/- 2 cm

Compliance to ESD Norm 61340-5-1

This is a publication by Conrad Electronic SE, Klaus-Conrad-Str. 1, D-92240 Hirschau (www.conrad.com).

All rights including translation reserved. Reproduction by any method, e.g. photocopy, microfilming, or the capture in electronic data processing systems require the prior written approval by the editor. Reprinting, also in part, is prohibited. This publication represent the technical status at the time of printing.

© Copyright 2017 by Conrad Electronic SE.