

Battery-operated grease gun

with accessories



Contents

1.	General details	2
1.1	Intended use	2
1.2	Design and functional description	3
1.3	Technical data	4
1.4	Area of application	4
2.	General safety instructions	4
2.1	Information on safety at work	4
2.2	Signs and symbols used in the safety instructions	4
2.3	Hazards when handling the grease gun	5
3.	First use and recommissioning	5
3.1	Filling the grease gun	5
3.1.1	Filling with a grease cartridge as per DIN 1284	5
3.1.2	Filling using a grease gun filling unit	6
3.2	Preparation for use	6
3.3	Charging the battery	6
4.	Operation	7
5.	Care/maintenance	7
6.	Repairs/service	8
7.	Manufacturer's declaration	8

1. General details

1.1 Intended use

The grease gun is designed exclusively for the delivery of grease lubricants with a maximum viscosity of NLGI 2.

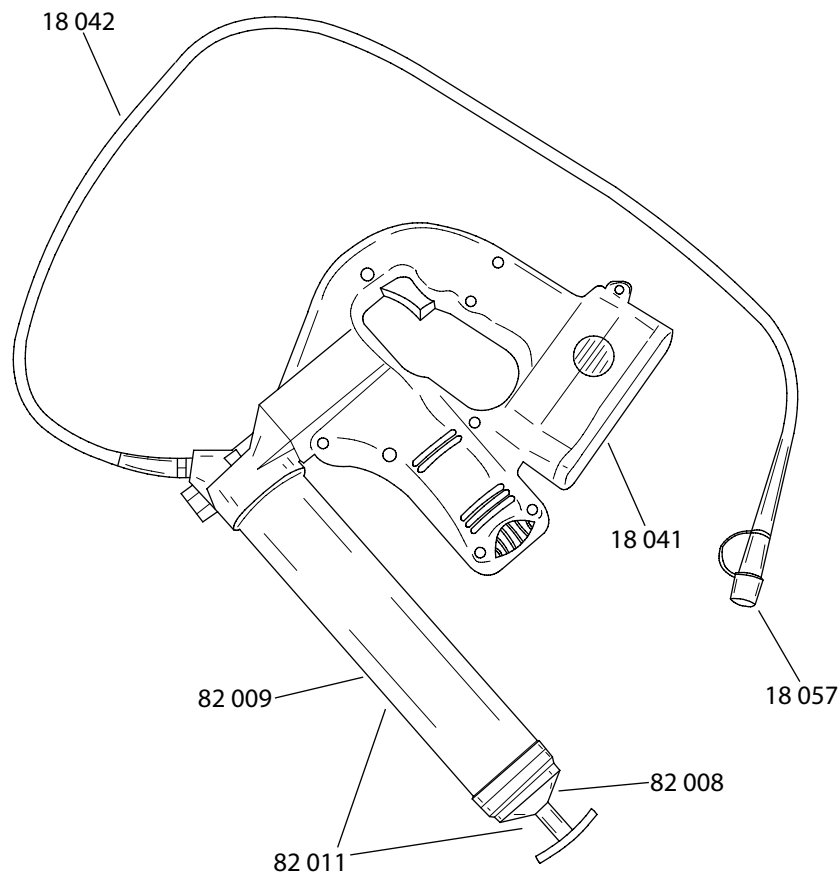
Intended use includes compliance with the contents of the operating instructions.

Any use beyond this (other materials, the use of force) or arbitrary modification (conversion, failure to use original accessories) may result in hazards, and is deemed to be outside the intended use.

The operator is responsible for damage resulting from use other than the intended use.

1.2 Design and functional description

The grease gun is equipped with a spring-loaded sealing sleeve to support the grease delivery.



Replacement parts list

Prod. no.	Designation
18 042	High-pressure grease delivery hose
18 041	18 V rechargeable battery
82 009	Grease gun tube
82 008	Spare parts set: Push rod, spring, collar
82 011	Spare parts set (82 008) with grease gun tube (82 009)
18 057	Mouthpiece
18 043	230 V battery charger

1.3 Technical data

Charger voltage/frequency	230 V 1~AC 50 Hz
Battery voltage	18 V 1~AC
Battery capacity	1500 mAh
Battery-charging time	1 hour
Max. operating pressure	400 bar
Max. grease volume	14,5 g
Min. lubrication volume	75 g/min (3 g tolerance)
Hose	106 mm
Weight	8,3 kg

Tab. 1-1: Technical data

1.4 Area of application

The grease gun is suitable for supplying lubricant greases up to viscosity class NLGI 2 under pressure.

2. General safety instructions

2.1 Information on safety at work



The grease gun has been designed and constructed in compliance with the applicable safety and health requirements of the relevant EU directives.

However, hazards may result from this product if it is not used for its intended purpose or with the necessary care.


In every case, local safety and accident prevention regulations apply, as well as the safety instructions in the operating instructions.

2.2 Signs and symbols used in the safety instructions

The safety instructions used in these operating instructions are divided into various levels of hazard. Various levels of hazard are indicated in the instructions with the following keywords and pictograms:

Pictogram	Keyword	Result if the safety requirements are not observed or applied
	Danger	Possible death or serious injury
	Caution	Possible slight or not serious injury or material damage

In addition, another symbol is used to indicate general tips about using the product.

Pictogram	Keyword	Meaning
	Tip	Background information or tips about how to use the product

2.3 Hazards when handling the grease gun



Caution!

Excess pressure at the greasing point can damage the grease nipple, bearings, and even the machine!

- Comply with the machine manufacturer's maintenance and service instructions.



Caution!

Defective accessories can lead to personal injury and material damage!

- High pressure hoses must not be kinked, twisted, or stretched.
- During their period of use, accessories must be checked for wear, cracks, and other damage.
- Defective accessories must be replaced immediately.
- The period of use for connecting hoses is a maximum of 6 years after the date of manufacture (see hose labelling).



Danger!

- Do not use the device in the vicinity of open flames, gas or other flammable liquids.
- The device can build up high pressures (up to 400 bar). Safety goggles and work gloves are required. Keep hands away from rubber hoses under high pressure.



Caution!

- Avoid contact with other metals during greasing, due to the possible danger of grounding.
- Do not use the unit in the rain or in wet conditions (danger of electric shock!).
- Do not use the battery charger in humid or wet rooms.
- Do not use the grease gun if it has been damaged or has been left outdoors or immersed in liquid.

3. First use and recommissioning

Check the grease gun and accessories for completeness.

3.1 Filling the grease gun

There are various filling options for the grease gun.

- Filling with a grease cartridge as per DIN 1284
- Filling using a grease gun filling unit

3.1.1 Filling with a grease cartridge as per DIN 1284

Removing an empty cartridge:

Pull out the push rod completely until it locks in on the upper end of the container tube.

Unscrew the grease gun head.

Slowly release the hand grip, pull the cartridge upward and remove it from the unit.

Inserting a new grease cartridge:

Remove the sealing cap from the full cartridge, and guide this into the grease gun cylinder.

Only then tear off the cartridge's "pull-off" closure and screw on the grease gun head.

Pull on the push rod, actuate the safety catch, and push the push rod back into the cylinder.

Bleed the grease gun (see instructions on releasing trapped air in section 3.2).



Tip

When fitting accessories, ensure cleanliness and that the accessory makes a perfect connection to the grease gun.

Use suitable sealants and adhesives (e.g. Teflon tape).

3.1.2 Filling using a grease gun filling unit

To fill the grease gun with a grease gun filling unit, the following modifications must be made:

- Remove the collar, bend over the rubber with your thumb and forefinger and install the collar again.
- Remove the plug at the head of the grease gun.
- Mount filling valve (12670).

Place the grease gun onto the filling valve of the grease gun filling unit, and hold it in place with light counter pressure.

Fill the grease gun by activating the filling unit. Filling may cause the push rod to be pushed out of the grease gun cylinder.

Pull on the push rod, actuate the safety catch, and push the push rod back into the cylinder.

3.2 Preparation for use

Check that the grease gun head and cylinder are tightly screwed together.

To release trapped air, press the bleed valve while moving the push rod forward.

Keep pressing the bleed valve and then press the On switch several times until the trapped air escapes.

The grease gun is now ready for use.

3.3 Charging the battery

If the battery is in the unit, it can be removed by pressing together the two plastic buttons on the bottom of the battery.

If the battery is almost empty, the performance of the grease gun will be reduced. It is time to recharge the battery. Recharging the battery too soon will shorten the life of the battery!

Start the charging process by inserting the battery into the charger; it will lock into place.

When the battery is charged (1-2 hours) disconnect the charger from the power supply and remove the battery.



Tip

For charging: To start the charging process you have to press the "Set" button. (A green lamp lights up.)

The battery cannot be fully charged right after use, since the temperature of the battery rises during use of the grease gun. Before starting the charging process, let the battery cool to room temperature.

 **Caution!**

- Never press the On switch while removing the battery.
- For inspection, maintenance or cleaning, always disconnect the charger from the power supply.

4. Operation

 **Caution!**

Excess pressure can result in the bursting of the grease gun head and equipment!

- When using the grease gun, use suitable equipment such as protective gloves and eye protection.

Position the grease gun with the hydraulic mouthpiece onto the grease nipple.

Actuate the On switch to carry out the greasing process.

5. Care/maintenance

The grease pump needs little care and maintenance.

Because of operator responsibility, the following parts must be checked regularly in order to avoid environmental, material, or personal damage:

Prior to each use:	Check the general condition of the grease gun. Check all moving parts for irregularities. Check for cracked or broken parts, a leaking battery, damaged hoses and any irregularity that would prevent safe operation. In case of abnormal noises or vibrations, inspect the unit before using it again.
Daily:	Use a soft, dry cloth to wipe off all dirt and grease on the outside of the grease gun. Do not use solvents!

 **Caution!**

Protective measures for battery:

- **Never expose batteries to open flame: Danger of explosion!**
- Do not charge defective (leaking) batteries.
- Only trained specialists are permitted to repair a battery.
- Do not throw batteries in the dustbin. Be sure to know and respect local regulations concerning proper disposal.

Always remove the battery before storing the grease gun. Store in a clean and dry place, out of the reach of children.

6. Repairs/service

The grease gun was developed and manufactured under compliance with the highest quality standards.

Should a problem occur in spite of all quality measures, please contact our service department:

PRESSOL Schmiergeräte GmbH

Tel +49 9462 17-216

Fax +49 9462 1063

service@pressol.com

7. Manufacturer's declaration

We hereby state that the equipment described below, in the model which we have made commercially available, complies in its design and construction with the applicable requirements. If the equipment is used other than for its intended purpose, this declaration loses its validity.

Equipment	Grease gun
Type	Battery-operated grease gun
Applicable standards	DIN 1283

08.01.2013

PRESSOL Schmiergeräte GmbH



Dipl.-Ing. Rudolf Schlenker

Pressol Schmiergeräte GmbH

Parkstraße 7

93167 Falkenstein | Germany

Tel. +49 9462 17-0

Fax +49 9462 17-208

info@pressol.com

www.pressol.com

