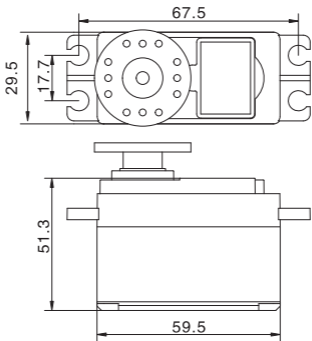


Servo-Typ / Servo type	Spezial-Servo big scale / big scale servo
Servo-Technologie / Servo technology	Digital / Digital servo
Getriebe-Material / Gear box	Metall / metal
Stell-Moment / Torque at 6.0 V / 7.4 V	255 / 275 Ncm
Stell-Zeit / Actuation time at 6.0 V / 7.4 V	0.22sec / 0.20sec (60°)
Gewicht / Weight	154g
Stecksystem / Connector system	JR



UNIT: MM