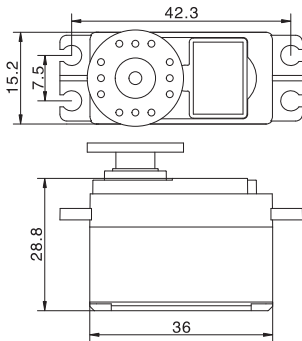


<b>Servo-Typ / Servo type</b>	Micro servo
<b>Servo-Technologie / Servo technology</b>	Digital / Digital servo
<b>Getriebe-Material / Gear box</b>	Metall / metal
<b>Stell-Moment / Torque at 4.8 V / 6.0 V</b>	21.6 / 24.5 Ncm
<b>Stell-Zeit / Actuation time at 4.8 V / 6.0 V</b>	0.14sec / 0.12sec (60°)
<b>Gewicht / Weight</b>	28g
<b>Stecksystem / Connector system</b>	JR



UNIT: MM