

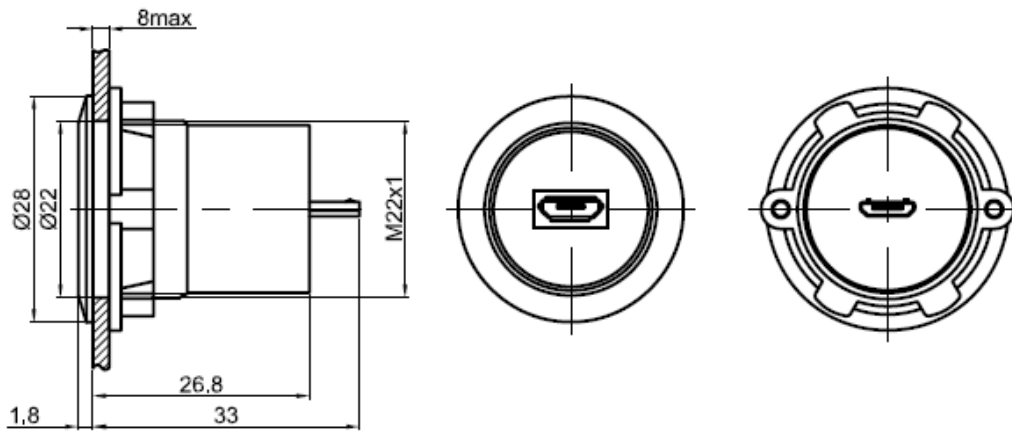
Datasheet

Item no.1365797

V1_0717_01_en

Micro USB 2.0 Panel Jack, Ø22mm
 Front: Female Type micro A
 Back: Male Type B

Item no.: 1365797



Specification	Front: Female Type micro A Back: Male Type B
Operating Temperature.....	-25°C ~ +55°C (NO-Freezing)
Operating Humidity.....	45~85%RH(NO Condensation)
Panel Thickness.....	1~8 mm
Body Material.....	Aluminium anodized (Black color)