

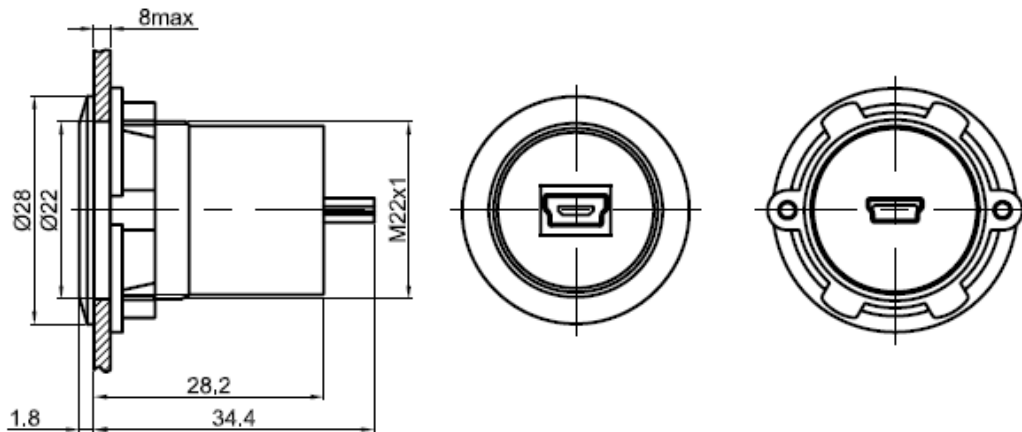
Datasheet

Item no. 1365803

V1_0717_01_en

Mini USB 2.0 Panel Jack, Ø22mm
 Front: Female Type mini A
 Back: Male Type B

Item no.: 1365803



Specification	Front: Female Type mini A Back: Male Type B
Operating Temperature.....	-25°C ~ +55°C (NO-Freezing)
Operating Humidity.....	45~85%RH(NO Condensation)
Panel Thickness.....	1~8 mm
Body Material.....	Aluminium anodized (Black color)

This is a publication by Conrad Electronic SE, Klaus-Conrad-Str. 1, D-92240 Hirschau (www.conrad.com).
 All rights including translation reserved. Reproduction by any method, e.g. photocopy, microfilming, or the capture in electronic data processing systems require the prior written approval by the editor. Reprinting, also in part, is prohibited. This publication represents the technical status at the time of printing.

© Copyright 2017 by Conrad Electronic SE.