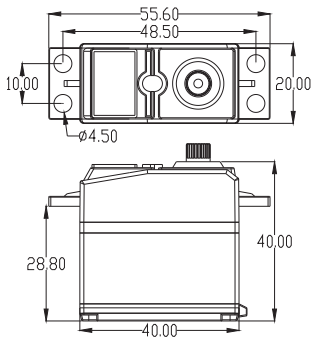


Servo-Typ / Servo type	Standard
Servo-Technologie / Servo technology	Analogue servo
Getriebe-Material / Gear box	Kunststoff / Plastic
Stell-Moment / Torque at 4.8 V / 6.0 V	4.4k g-cm/ 5.5kg-cm
Stell-Zeit / Actuation time at 4.8 V / 6.0 V	0.30sec / 0.20sec (60°)
Gewicht / Weight	48g
Stecksystem / Connector system	JR



UNIT: MM