



09002030497

E173485

R50116174

■ Features

- High power & low cost
- 30A switching capability
- Less than 1W coil power
- Providing open-type
- Class B/F available
- Conform to RoHS,ELV directive

■ Ordering Code

HJQ-15F — S — Z (TBF-1) N / 12VDC	
1	2 3 4 5 6
1. Relay Model	2. S: Sealed, SV: Vent Hole, K: Open Type
3. Contact Form: Z: Form C, H: Form A, D: Form B	4. Insulation System: TBF-1: Class F, Nil: Standard
5.N: Without Pin 3, Dielectric Strength between coil and contacts:1500VAC, Nil: With Pin 3, Dielectric Strength between coil and contacts:1500VAC, WT: With Pin 3, Dielectric Strength between coil and contacts:2500VAC, NT: Without Pin 3, Dielectric Strength between coil and contacts:2500VAC.	
6. Coil Nominal Voltage: 5, 6, 9, 12, 18, 24, 48, 110VDC	

■ Coil Data (at 20°C)

Nominal Voltage(VDC)	5	6	9	12	18	24	48	110	0.93W
Coil Resistance($\Omega \pm 10\%$)	27	39	87	155	350	620	2480	13010	
Rated Current(mA)	186	155	103	77.5	52	39	19	9	
Max Operate Voltage(VDC)	3.75	4.5	6.75	9	13.5	18	36	82.5	
Min Release Voltage(VDC)	0.5	0.6	0.9	1.2	1.8	2.4	4.8	11	
Max Applicable Voltage	130% of nominal voltage at 70°C, 170% of nominal voltage at 23°C								

■ Contact Data

Contact Form	1H/1D/1Z
Contact Material	Silver Alloy
Load	Resistive Load(COS ϕ =1)
Contact Ratings	1H: 25A(30A) 240VAC/20A 28VDC 1D: 15A 240VAC/10A 28VDC 1Z: 20A/10A 240VAC/28VDC
Minimum Load	500mA 5VDC
Max Switching Voltage	250VAC/30VDC
Max Switching Current	30A
Max Switching Power	7200VA/560W
Contact Resistance	100m Ω Max at 6VDC 1A
Life Expectancy	Electrical: 100,000 Operations (at 30 Operations/minute)
	Mechanical: 10,000,000 Operations (at 300 Operations/minute)

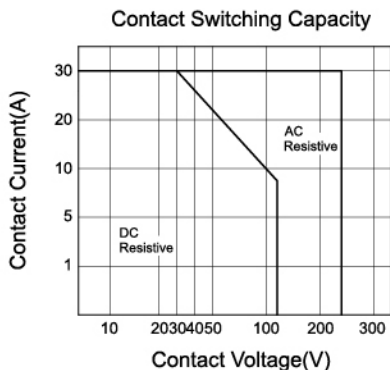
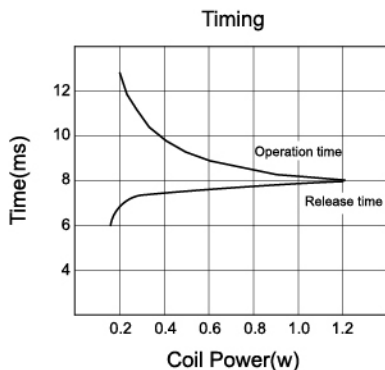
■ Characteristics Data

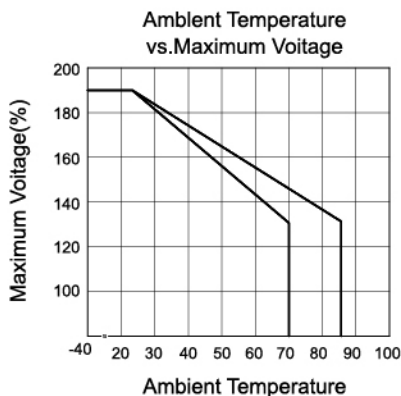
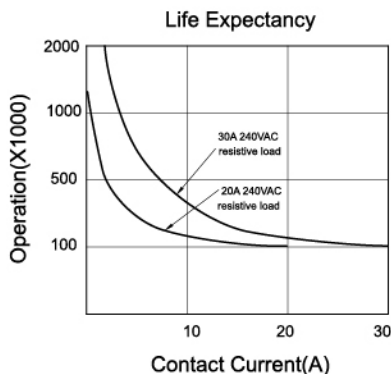
Insulation Resistance	100MΩMin at 500VDC
Dielectric Strength Between Open Contacts	1500VAC (for one minute)
Between Contacts and Coil	1500VAC/2500VAC (for one minute)
Operate Time	15ms
Release Time	10ms
Temperature Range	-40°C to +70°C(Class F:85°C)
Shock Resistance	Operating Extremes: 10G Damage Limits: 100G
Vibration Resistance	10-55Hz, 1.5mm
Max. Switching Frequency	Mechanical: 18,000 operations/hr Electrical: 1,800 operations/hr
Humidity	40-85%
Weight	Approx: 36g
Safety Standard	UL cUL CQC TÜV

■ Approved Standards

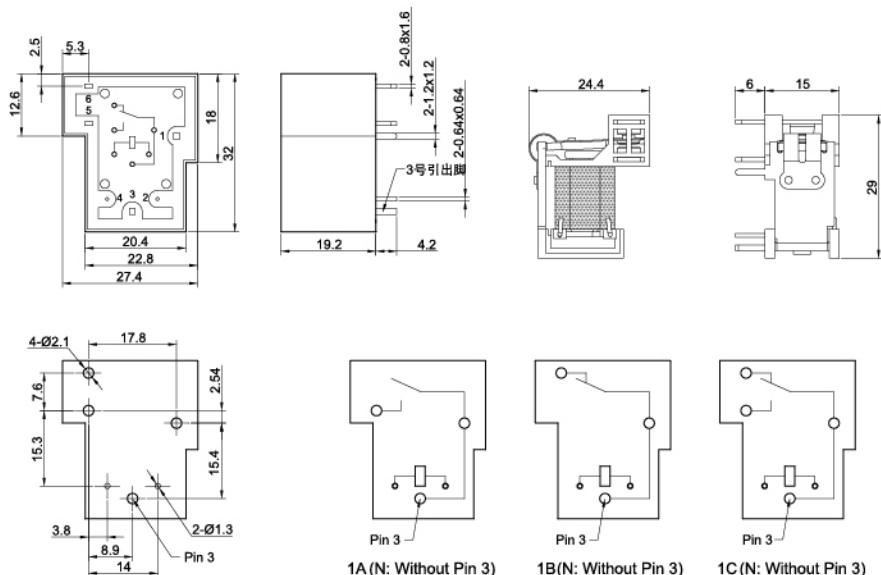
Model	Coil Rating	Safety Standard	Contact Rating
HJQ-15F	3 to 110VDC	TÜV	H: 30A 240VAC 25A 28VDC
			D: 15A 240VAC 10A 28VDC
			Z(NO): 20A 240VAC /28VDC Z(NC): 10A 240VAC/ 28VDC NO: 25A 240VAC/28VDC NC: 15A 240VAC/ 28VDC
	5 to 48VDC	UL/cUL	NO: 30A 240VAC NC: 20A 240VAC
			NO: TV-5(5A 120VAC) NO: 1HP 125VAC 2HP 277VAC
			NC: 1/4HP 125VAC 1/2HP 277VAC
		CQC	NC: 20A 240VAC NO: 30A 240VAC

■ Engineering Data





■ Overall and Mounting Dimensions



PCB Layout

Wiring Diagram

Remark:

- 1). In case the tolerance is not shown in outline dimension, the tolerance should be $\pm 0.2\text{mm}$ for outline dimension $\leq 1\text{mm}$; $\pm 0.3\text{mm}$ for outline dimension: $1\sim 5\text{mm}$ and $\pm 0.4\text{mm}$ for outline dimension $> 5\text{mm}$.
- 2). The tolerance without indication is always $\pm 0.1\text{mm}$ for the dimension of PCB layout.

Disclaimer:

These specifications are just for customers' reference and subject to change without notice.