

BET-0600M

60 Watt

- Desktop adapter for medical devices
- Class 2 equipment – without PE
- Compliant with ErP and CEC level V

The series BET-0600M desktop adapters supply power to medical devices. They are internationally certified according to IEC/EN/UL 60601-1 standards. Due to the robust construction and the high quality components like Japanese long life capacitors, the desktop adapter series is ideally suited for many years of reliable and safe operation. The entire closed plastic case can easily be desinfected. Other models with different output voltages are available on request.



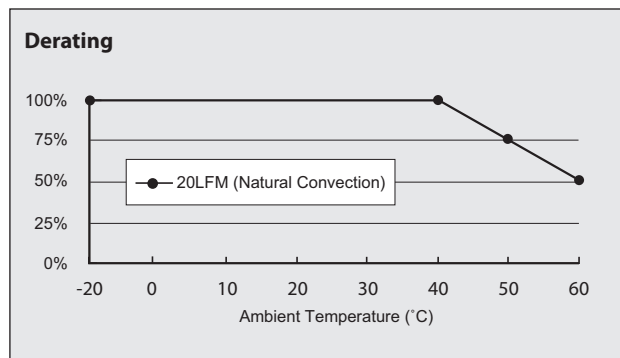
NEW



Desktop adapter

Technical data	
Input voltage	90...264 V AC
Input frequency	50...60 Hz
Inrush current	80 A max (230 V AC)
Efficiency	≥87 %
Idle consumption	≤0.3 W (230 V AC)
Hold up time	>16 ms / 115 V AC
Protection	Short circuit protection, overvoltage protection, overload protection: Switch off with auto recovery
Insulation voltage	Input / Output: 6964 VDC (2x MOPP)
Line regulation	±≤2 %
Load regulation	±≤4 %
Leakage current	<100 µA touch current (264 V AC / 60 Hz)
Safety / EMC	TÜV (IEC/EN60601-1 3rd Edition), UL (UL60601-1 3rd Edition), CAN/CSA-C22.2 No 60601-1 3rd Edition, CE, designed according to CCC
Temperature	Operating: -20...+60 °C / Storage: -20...+85 °C
Derating	In the range of +40...+60 °C, 2.5 % / °C
Max. operation altitude	5000 m
MTBF	> 863 000 h according to Telcordia SR-332 at +25 °C
Humidity	Operating: 10...85 % RH, non-condensing / Storage: 10...90 % RH, non-condensing
Dimensions (WxDxH)	60 x 119 x 36 mm ±0.5 mm
Weight (net)	0.31 kg

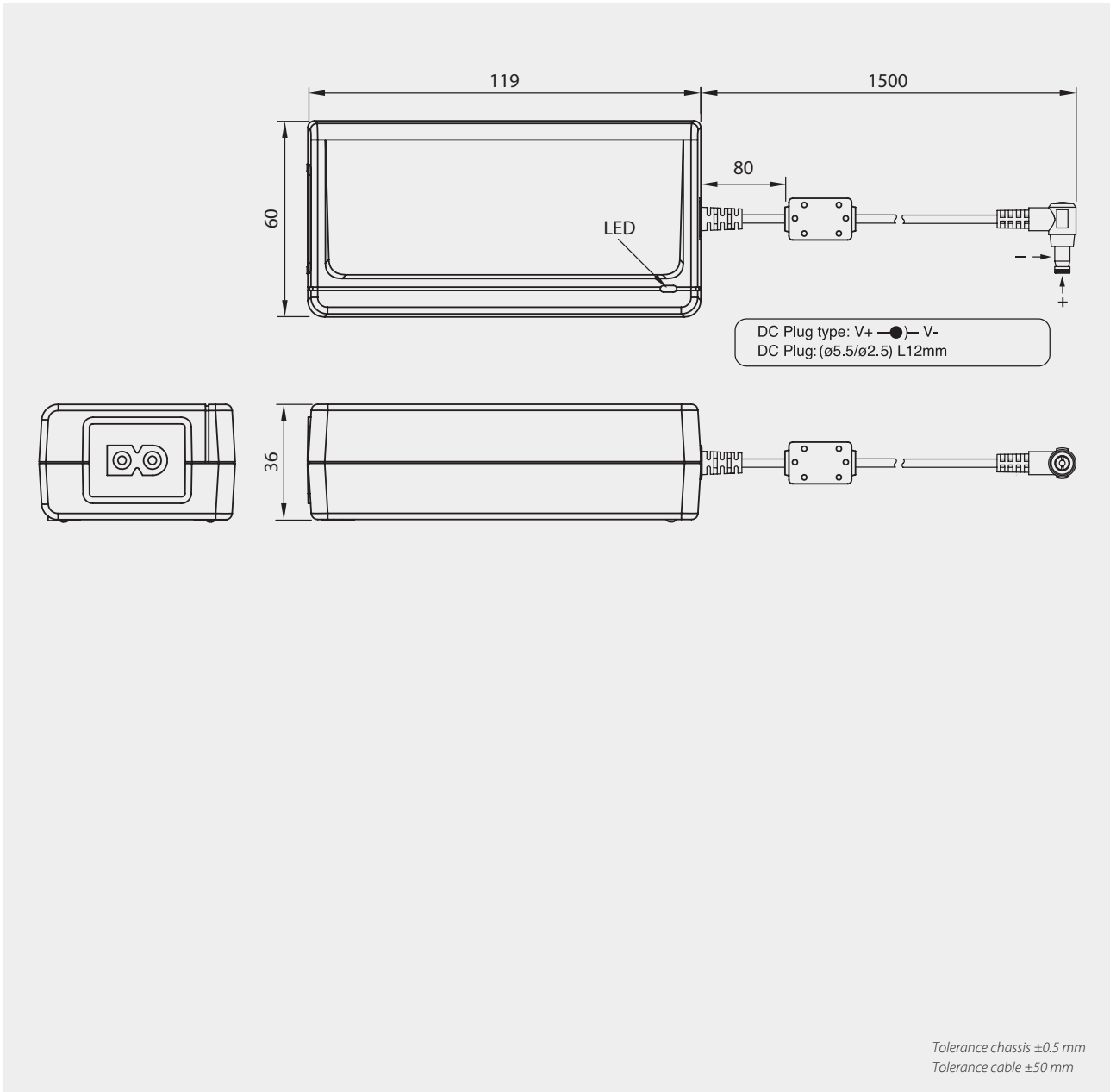
Product specific data	
ECO standard	ErP directive 2009/125/EG, CEC level V



Article No.	Output voltage	Output current min	Output current rated load	Ripple & Noise	Efficiency
BET-0612M	+12 V	0 A	5 A	<120 mV _{SS}	≥ 87 %
BET-0619M	+19 V	0 A	3.4 A	<190 mV _{SS}	≥ 87 %
BET-0624M	+24 V	0 A	2.7 A	<240 mV _{SS}	≥ 87 %

Ripple and Noise was measured by a 20 MHz bandwidth limited oscilloscope with connected 0.1 μF and 10 μF capacitors at the output. Output voltage was adjusted to ±2% at 60% load. The final assembly has to comply with the valid EMC and safety standards.

Drawing BET-0600M



Desktop adapter

Optional accessory ▷▷▷ For detailed information please visit our website www.bicker.de and refer to the article number.

Article No.	Description
KP-01	Cling pad for fast and easy attachment of desktop adapters
X1-135	Power cord with European IEC-60320-C7 connector
PSZ-1008	Female adapter, DC jack on screw terminal
CB-TRG-EXT	DC extension cable