

Flush-type connector - SACC-DSI-M8MS-6CON-M8-L90 SH - 1424244

Please be informed that the data shown in this PDF Document is generated from our Online Catalog. Please find the complete data in the user's documentation. Our General Terms of Use for Downloads are valid (<http://download.phoenixcontact.com>)



Sensor/actuator flush-type connector, plug, 6-pos., M8, rear/screw mounting with M8 fastening thread, with angled solder connection

Key commercial data

package_quantity	20
GTIN	4046356712569

Technical data

Ambient conditions

Degree of protection	IP67
----------------------	------

General

Rated current at 40°C	1.5 A
Rated voltage	30 V
Number of positions	6
Contact resistance	≤ 3 mΩ
Insulation resistance	≥ 100 MΩ
Coding	A - standard
Standards/regulations	M8 connector IEC 61076-2-104
Status display	No
Surge voltage category	II
Pollution degree	3
Connection method	Solder pins
Mounting type	Rear mounting M8 x 1 With flat nut

Material

Inflammability class according to UL 94	HB
Contact material	Cu alloy
Contact surface material	Au
Contact carrier material	PA 66
Material, knurls	Zinc die-cast, nickel-plated

Flush-type connector - SACC-DSI-M8MS-6CON-M8-L90 SH - 1424244

classifications

eCl@ss

eCl@ss 4.0	27250313
eCl@ss 4.1	27250313
eCl@ss 5.0	27260701
eCl@ss 5.1	27143423
eCl@ss 6.0	27143423
eCl@ss 7.0	27449001
eCl@ss 8.0	27449001

ETIM

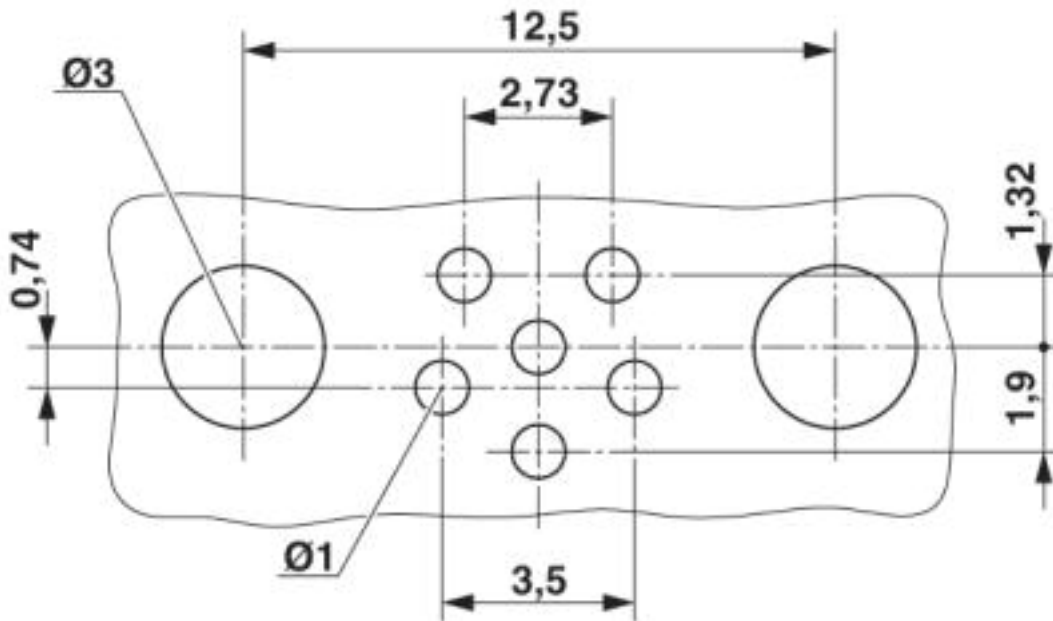
ETIM 3.0	EC002061
ETIM 4.0	EC002635
ETIM 5.0	EC002635

UNSPSC

UNSPSC 6.01	31251501
UNSPSC 7.0901	31251501
UNSPSC 11	31251501
UNSPSC 12.01	31251501
UNSPSC 13.2	31251501

Drawings

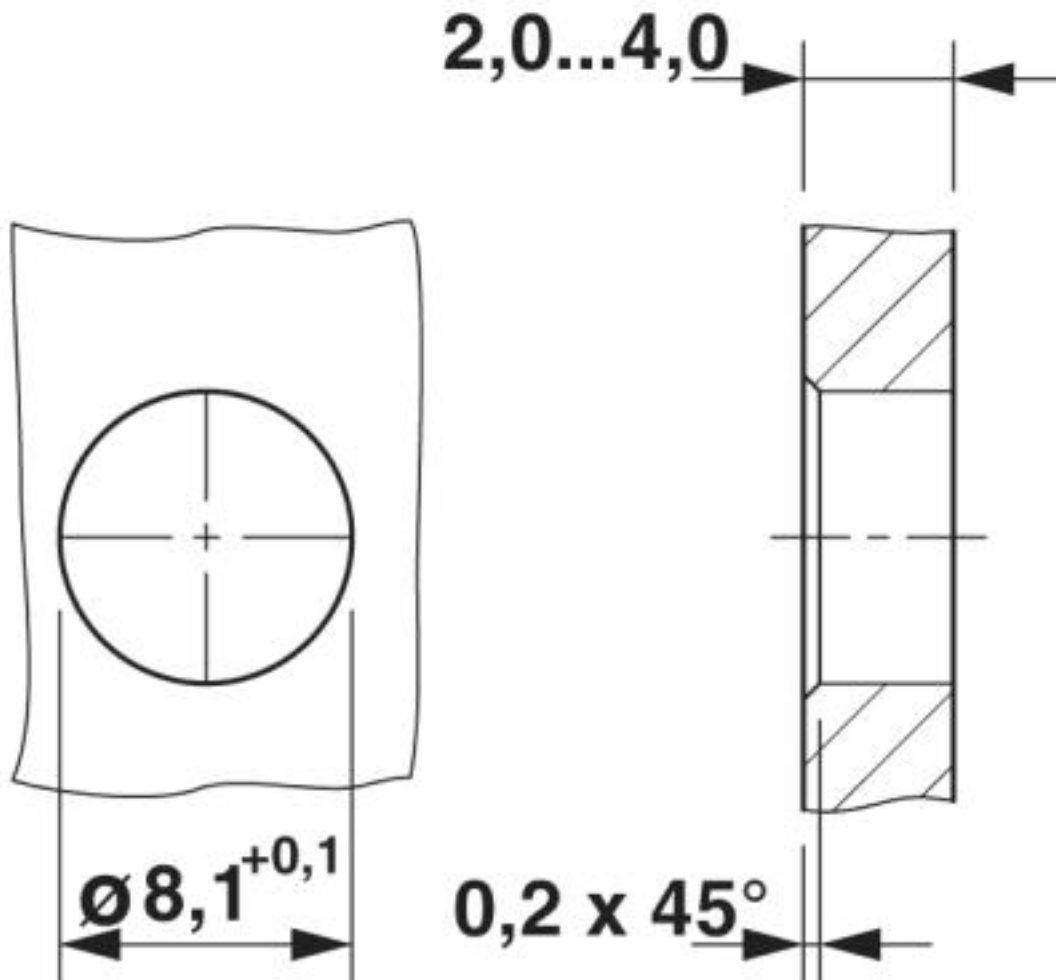
Drilling diagram



Drilling diagram

Flush-type connector - SACC-DSI-M8MS-6CON-M8-L90 SH - 1424244

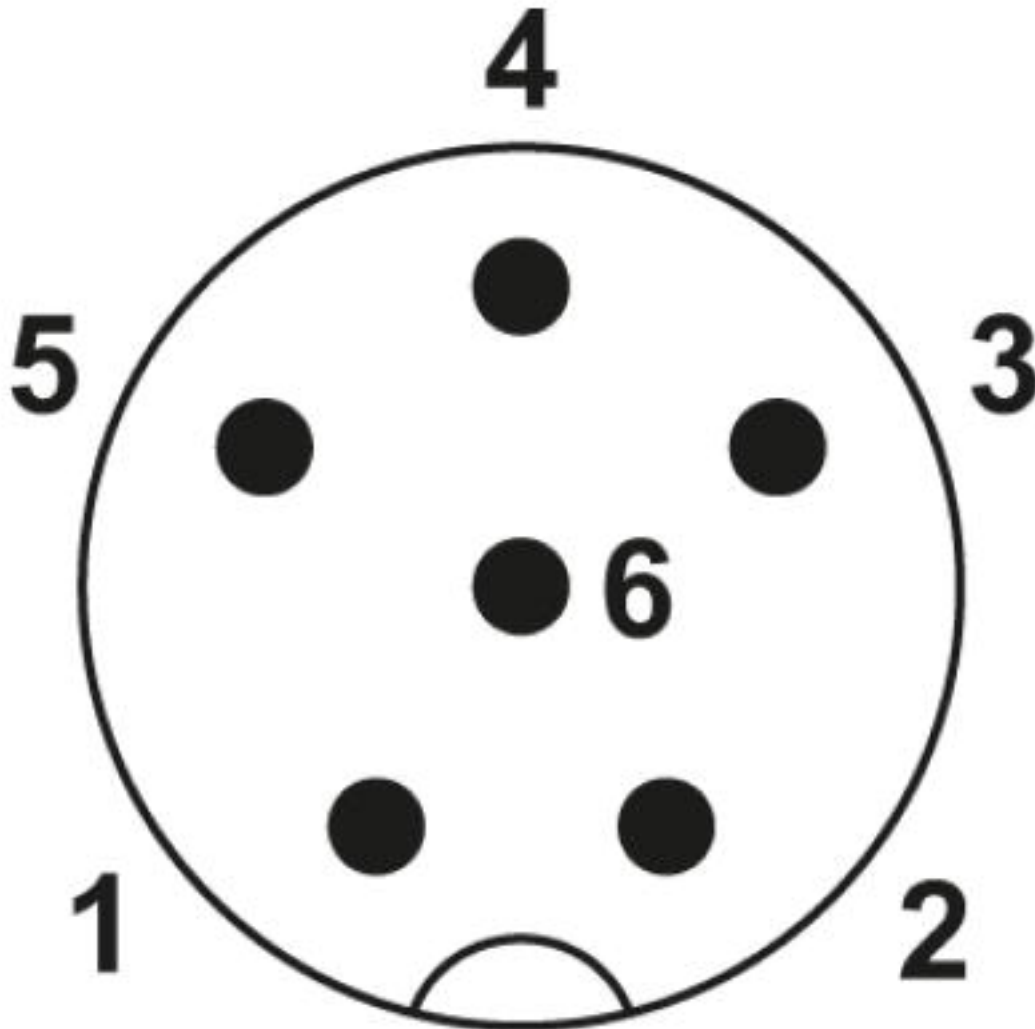
Dimensioned drawing



Housing cutout for M8 flush-type connector, connector, one-section

Flush-type connector - SACC-DSI-M8MS-6CON-M8-L90 SH - 1424244

Schematic diagram



Pin assignment M8 plug, 6-pos., view male side

© Phoenix Contact 2013 - all rights reserved
<http://www.phoenixcontact.com>