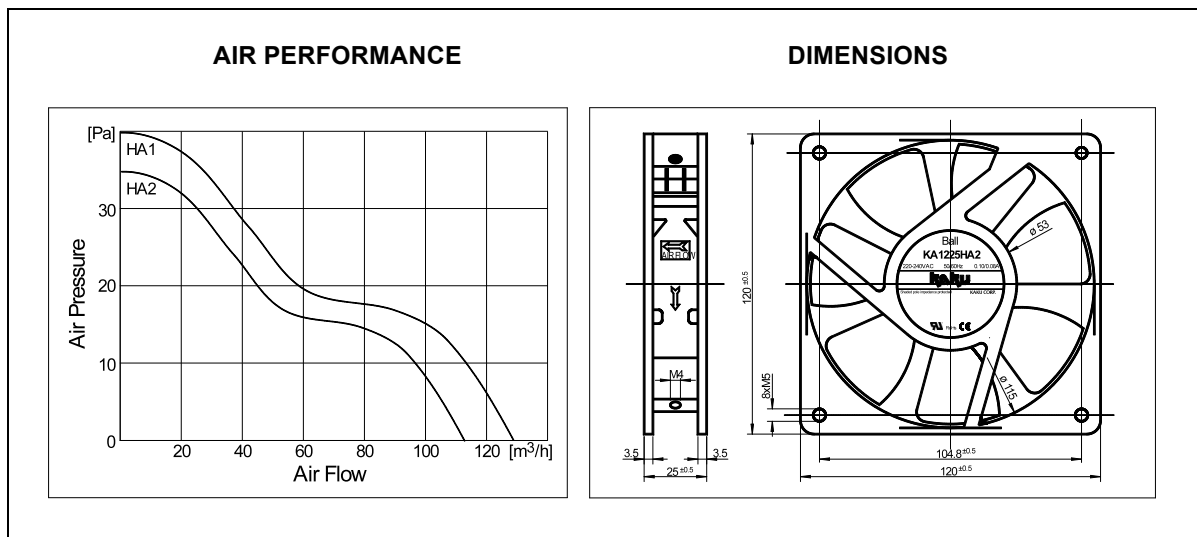


KA1225HAxxMx

HIGH PERFORMANCE AC FAN 120x120x25mm



PERFORMANCE

CE	KA1225HA1xMx	KA1225HA2xMx
Approval	UL, CE	
Operating Voltage [VAC]	100 ... 127 (60Hz)	198 ... 254 (50Hz)
Rated Input [W]	18	20
Max. Air flow [m³/h]	127.5	112.2
Max. Air pressure [Pa / mmH ₂ O]	39.9 / 4.1	34.9 / 3.6
Typ. Noise @ 1m [dB(A)]	43	40
Operating temperature (S) [°C]	-10 ... +60	
Operating temperature (B) [°C]	-40 ... +80	
Rotating direction	CW	
Blowing direction	blowing over struts	
Life expectancy L ₁₀ /MTTF @ 40°C [h]	S: 30000/90000 – B: 40000/120000	
Typ. Rotor speed [min ⁻¹]	2300	2100
Bearing system	S = Sleeve bearing – B = 2 Ball bearing ZZ	
Weight [g]	260	
Connection	(...MT) 2 Flat Terminals / (...ML)wires AWG24	
Packing quantity [St]	T.B.D.	

This **KAKU**® AC fan is suitable for industrial use and has a remarkable air flow performance. Due to a nearly linear air performance characteristic, the fan is applicable for different uses. It is permanently protected electrically against rotor blocking and thermal overloading. Due to the low rotor weight and the precision balancing, it has very low vibration and is insensitive to shock.

Further features of this fan are its extremely robust and torsionally rigid house of aluminium, rotor of PBT-GV30 (UL94V-0) and permanently lubricated sleeve bearings or ball bearings made from special steel.

Technical changes without notice • 02/13