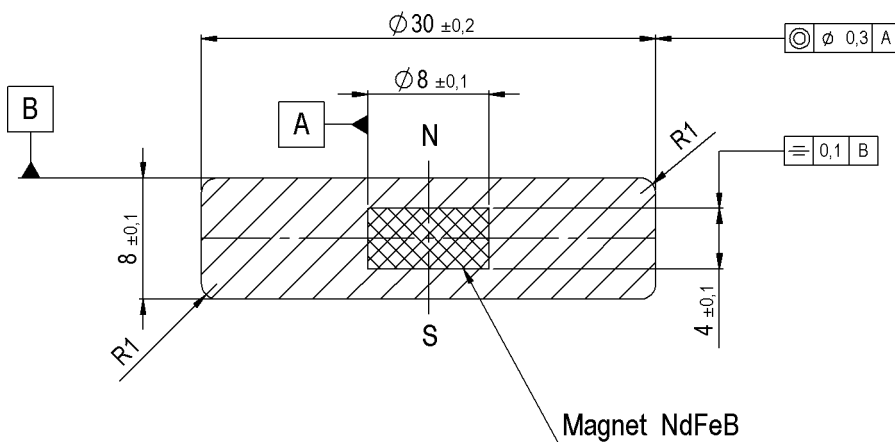
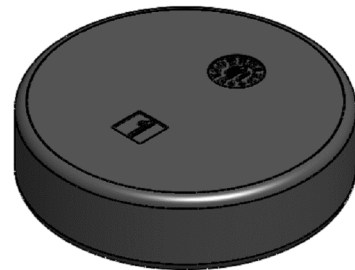
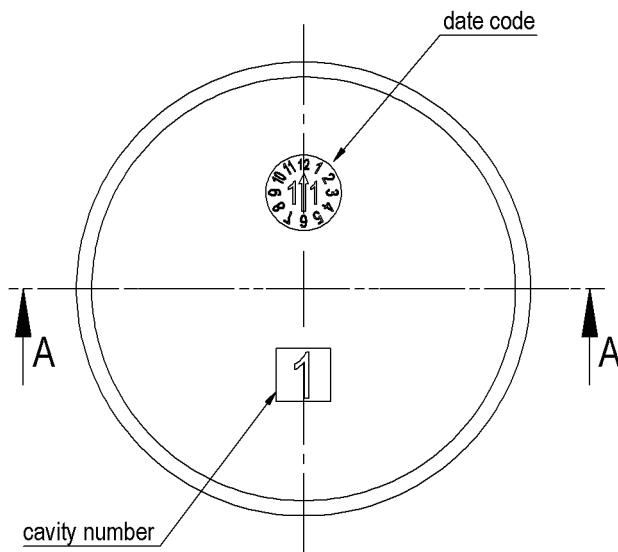
 **Dimensions mm[inch]**
tolerances acc. to DIN ISO 2768-m
Toleranzen gem. DIN ISO 2768-m

Isometric
Scale 2:1
Maßstab 2:1





Europe: +49 / 7731 8399 0 | Email: info@meder.com
 USA: +1 / 508 295 0771 | Email: salesusa@meder.com
 Asia: +852 / 2955 1682 | Email: salesasia@meder.com

Item No.:
2500000026
 Item:
MS06/2-PP
floating magnet = 4003068640

Special Product Data	Conditions	Min	Typ	Max	Unit
Material of float		PP HF700SA, colour RAL 9004 (signal black)			
Float weight		3,8	4,2	4,7	g

Environmental data	Conditions	Min	Typ	Max	Unit
Safety class	DIN EN 60529	IP68			

Mag. values DIN IEC 60404-8-	Conditions	Min	Typ	Max	Unit
Energy product (B x H) max.		263	287		kJ/cu m
Remanence Br		1.170	1.240		mT
Revers. temp. coeff. of Br			-0,11		%/K
Coercivity HcB		876	947		kA/m
Coercivity HcJ		1.353			kA/m
Revers. temp. coeff. of HcJ			-0,58		%/K
Density		7,5	7,6		g/cu cm
Magnetic moment	inclusive of 5% tolerance		1,44		E-6 Vs*cm
Direction of Magnetization		axial			
Magnet Material		NdFeB, N35H, nickel plated			

General data	Conditions	Min	Typ	Max	Unit
Remarks		All details according to manufacturers information			

Modifications in the sense of technical progress are reserved

Designed at: 17.03.09 Designed by: WKOVACS
 Last Change at: 09.06.11 Last Change by: WKOVACS

Approval at: 16.09.09 Approval by: DKUECHLER
 Approval at: 09.06.11 Approval by: DKUECHLER

Version: 02