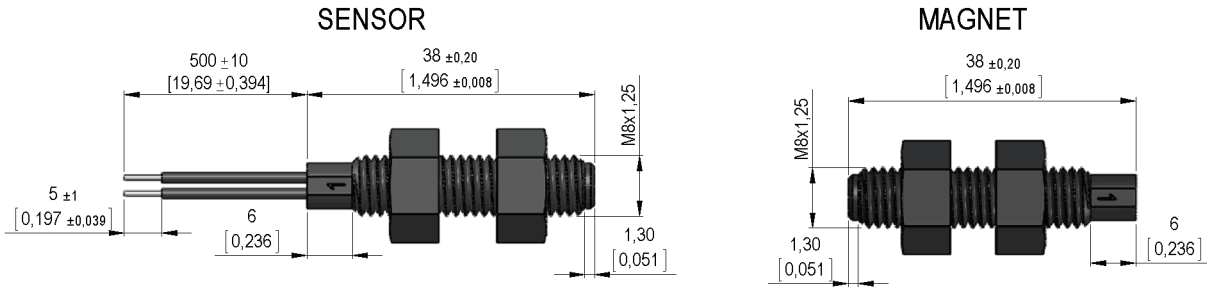
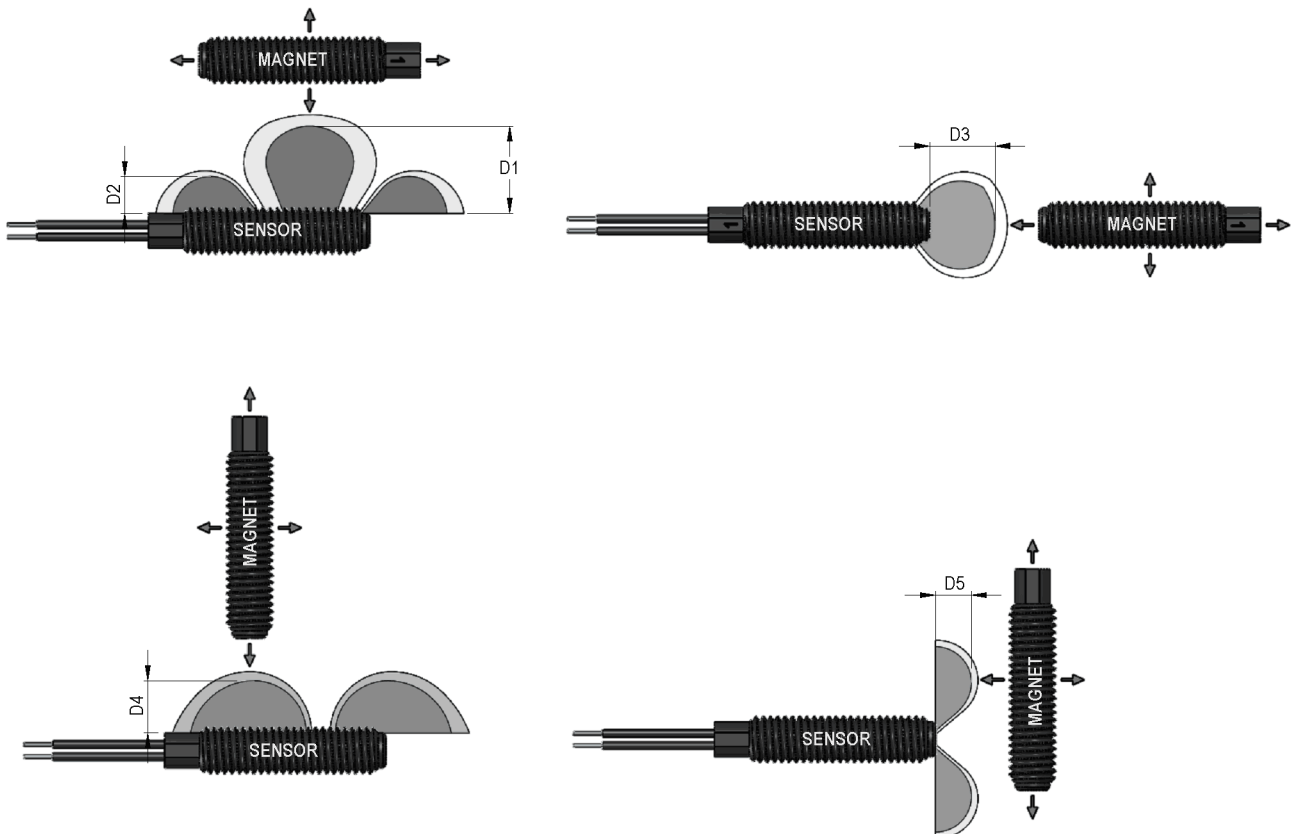


Dimensions mm[inch]
 Tolerances acc. to DIN ISO 2768-m
 Toleranzen gem. DIN ISO 2768-m



ARRANGEMENTS



Description	Part number	Magnetic sensitivity mT	Position and Movement Max. Pull-in Distance in mm					Position and Movement Max. Drop-Out Distance in mm					Included in the Set Qty
			D1	D2	D3	D4	D5	D1	D2	D3	D4	D5	
MK 11/M8-1A66B-500W	9118266054	>1,70	13	4,5	8,3	7,5	6,5	15,5	6	10,4	9,1	8,1	1
M11/M8 Magnet	2500001108	-	-	-	-	-	-	-	-	-	-	-	1



Europe: +49 / 7731 8399 0

| Email: info@standexmeder.com

Item No.:

USA: +1 / 508 295 0771

| Email: salesusa@standexmeder.com

9118000001

Asia: +852 / 2955 1682

| Email: salesasia@standexmeder.com

Item:

MK11/M8-SET

Magnetic properties	Conditions	Min	Typ	Max	Unit
Pull in	at 20°C	52		90	AT
Test equipment		KMS-18+PH 014			

Special Product Data	Conditions	Min	Typ	Max	Unit
Contact - form		A - NO			
Contact rating	Any DC combination of V & A not to exceed their individual max.'s			10	W
operating voltage	DC or Peak AC			180	V
operating ampere	DC or Peak AC			1,25	A
Switching current	DC or Peak AC			0,5	A
Sensor-resistance	measured with 40% overdrive			250	mOhm
Housing material		Crastin,SK 645FR, rated 94V-0,140°C,E.I. Dupont			
Case color		black			
Sealing compound		Wevopur 552 FL			

Environmental data	Conditions	Min	Typ	Max	Unit
Operating temperature	cable not moved	-30		80	°C
Operating temperature	cable moved	-5		80	°C
Storage temperature		-30		80	°C

Cable specification	Conditions	Min	Typ	Max	Unit
Cable typ		2xsingle wires AWG24, UL-Style 1569, black			
Cable material		PVC			
Cross section [mm ²]		0,25			

General data	Conditions	Min	Typ	Max	Unit
Mounting advice		over 5m cable, a series resistor is recommended.			
Tightening torque				1	Nm

Modifications in the sense of technical progress are reserved

Designed at: 23.04.14 Designed by: WKOVACS

Approval at: 24.04.14 Approval by: AWEBER

Last Change at: Last Change by:

Approval at: Approval by:

Version: 01