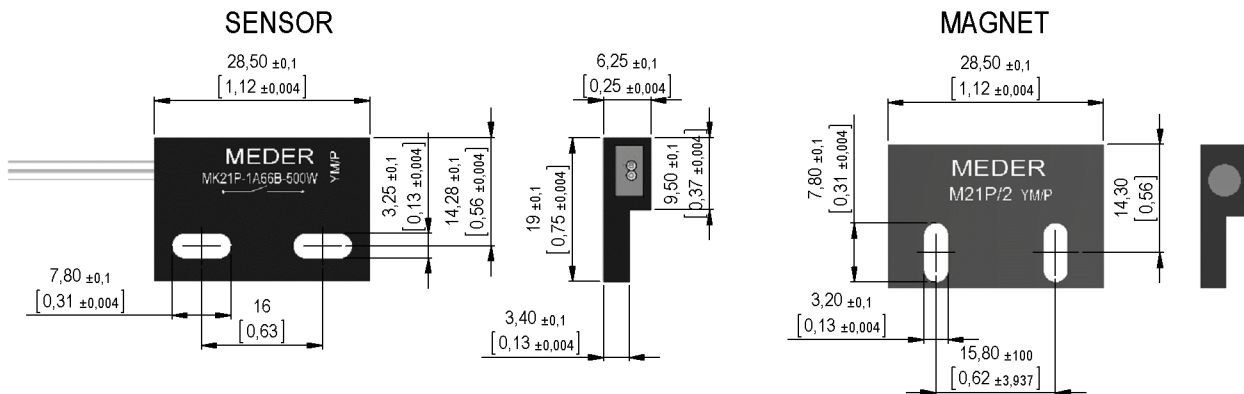
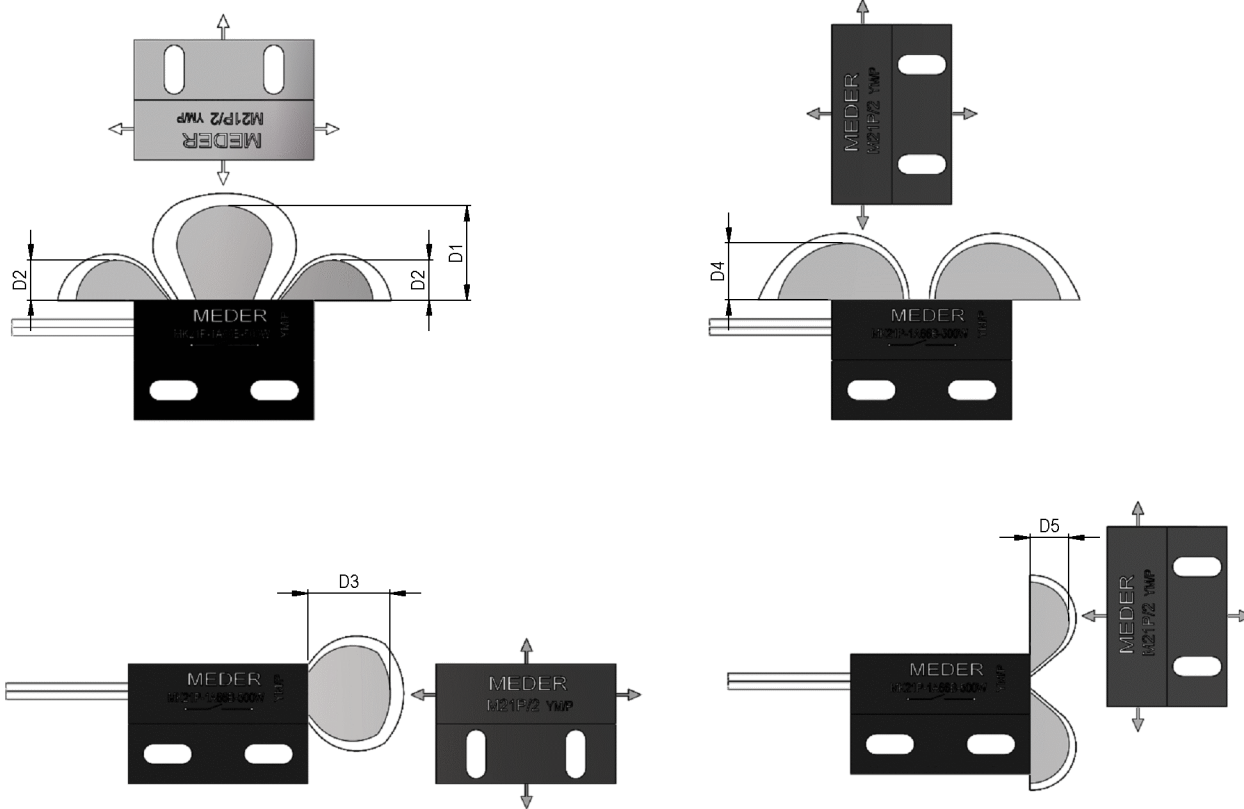


Dimensions mm[inch]
tolerances acc. to DIN ISO 2768-m
Toleranzen gem. DIN ISO 2768-m



ARRANGEMENTS



Description	Part number	Magnetic sensitivity mT	Position and Movement Max. Pull-in Distance in mm					Position and Movement Max. Drop-Out Distance in mm					Included in the Set Qty
			D1	D2	D3	D4	D5	D1	D2	D3	D4	D5	
MK21P-1A66B-500W	9212100054	>1,70	13	5,5	4,5	8	3	14	6,5	5,5	9	4	1
M21P/2	2500000121	-	-	-	-	-	-	-	-	-	-	-	1



Europe: +49 / 7731 8399 0

| Email: info@standexmeder.com

Item No.:

USA: +1 / 508 295 0771

| Email: salesusa@standexmeder.com

9210000002

Asia: +852 / 2955 1682

| Email: salesasia@standexmeder.com

Item:

MK21P-SET

Magnetic properties	Conditions	Min	Typ	Max	Unit
Pull-In	at 20°C	25		44	AT
Test equipment				KMS-14	

Special Product Data	Conditions	Min	Typ	Max	Unit
Contact - form				A - NO	
Contact rating	Any DC combination of V & A not to exceed their individual max.'s			10	W
Switching voltage	DC or Peak AC			180	V
Carry current	DC or Peak AC			1,25	A
Switching current	DC or Peak AC			0,5	A
Sensor-resistance	measured with 40% overdrive			290	mOhm
Housing material				Crastin SK655FR1	
Case color				black	
Sealing compound				Polyurethane	

Environmental data	Conditions	Min	Typ	Max	Unit
Shock	1/2 sine, duration 11ms, in 3 axis			50	g
Vibration	from 10 - 2000 Hz			20	g
Operating temperature	cable not moved	-30		70	°C
Operating temperature	cable moved	-5		70	°C
Storage temperature		-30		70	°C

Cable specification	Conditions	Min	Typ	Max	Unit
Cable type				flat cable	
Cable material				PVC	
Cross section				0,14 sq-mm	

General data	Conditions	Min	Typ	Max	Unit
Tightening torque	Screw M3 ISO 1207 Disk ISO 7089			0,5	Nm
Mounting advice				over 5m cable, a resistor is recommended.	

Modifications in the sense of technical progress are reserved

Designed at: 12.07.11 Designed by: WKOVACS

Approval at: 05.09.13 Approval by: AWEBER

Last Change at: Last Change by:

Approval at: Approval by:

Version: 01