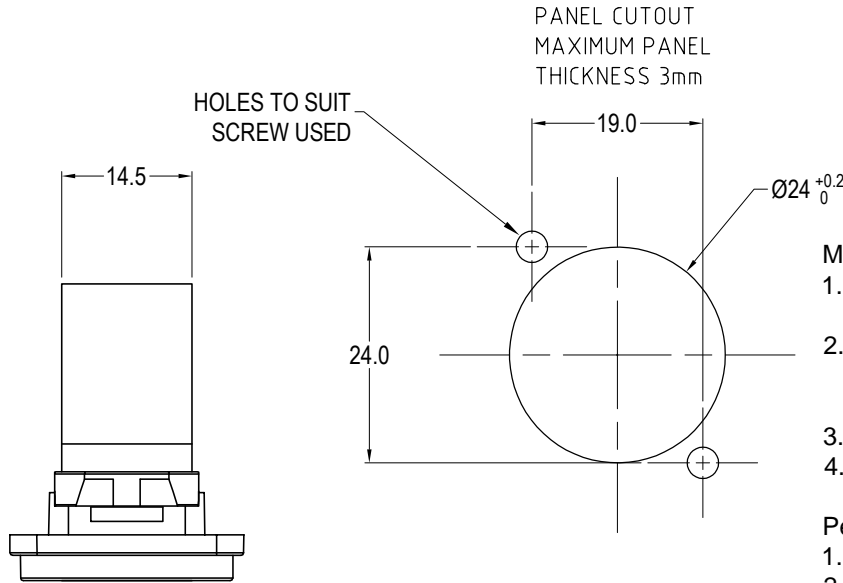
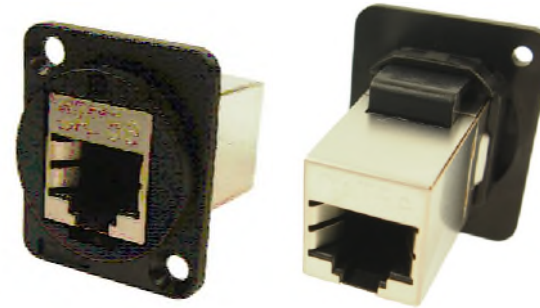


ISS.	AMEND	DATE
1	ISSUED	12/02/15
2	ADD WHITE VARIANTS	26/11/19



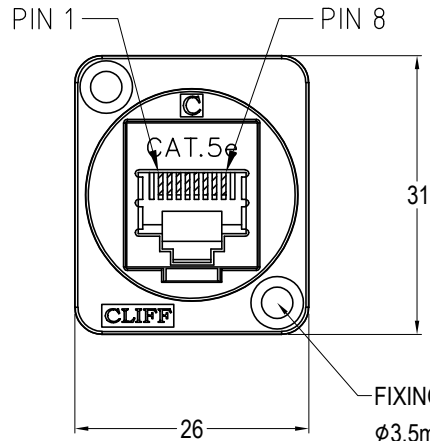
**Material:**

1. RJ45 In-Line Coupler:  
PC/ABS, UL 94V-0, Black colour
2. RJ45 In-Line Coupler Contact:  
Phosphor Bronze, 3-50 micro inches  
gold plating over nickel plate.
3. PCB: FR4, UL 94V-0
4. Frame: Polyamide UL94V-2

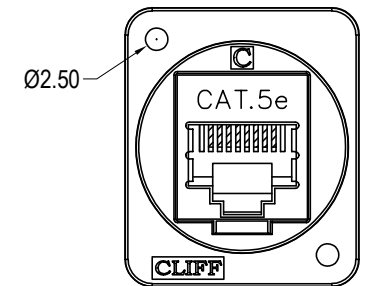
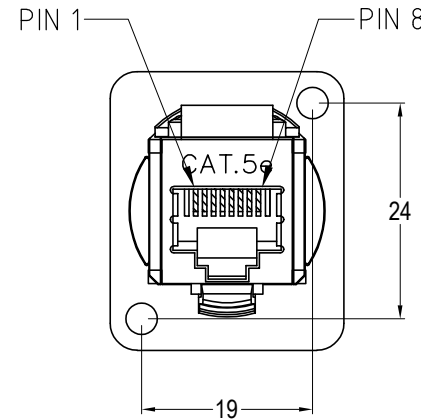
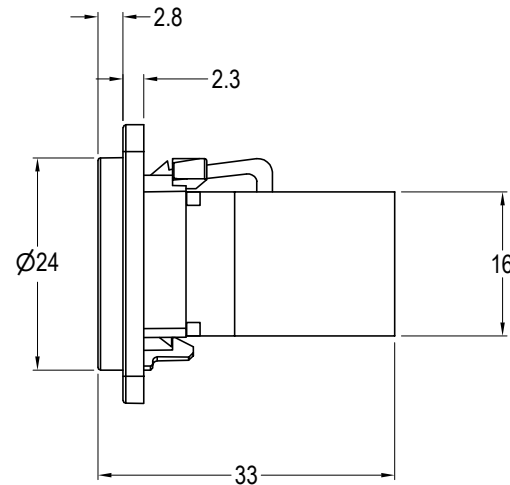
**Performance:**

1. T568A & T568B wiring.
2. Meet ISO/IEC 11801 and EN50173
3. Meet ANSI/TIA/EIA 568B.2

PART NO.	COLOUR	FIXING HOLE DETAILS
CP30220S	BLACK	HOLE Ø3.5 x CSK 82° x Ø5.85
CP30220SW	WHITE	
CP30220SX	BLACK	PLAIN HOLE Ø2.50
CP30220SXW	WHITE	



FIXING HOLE VARIANTS:  
Ø3.5mm CSK 82° x Ø5.85  
'X' VERSION HAS Ø2.5 PLAIN HOLES.



'X' VERSION  
Ø2.5 PLAIN HOLES

**RoHS**  
COMPLIANT

TOLERANCE  
NO DEC. PLACE ±  
1 DEC. PLACE ±  
2 DEC. PLACE ±  
HOLE Ø ±  
ANGLES ±  
UNLESS  
OTHERWISE STATED

DO NOT SCALE

**Cliff Electronic Components Ltd.**

76 Holmehorpe Avenue, Holmehorpe Industrial Estate,  
Redhill, Surrey, RH1 2PF, England, UK  
Tel: 01737-771375 Fax: 01737-766012 Website: www.cliffuk.co.uk

DIMENSIONS IN MILLIMETERS UNLESS OTHERWISE STATED. WORK TO DIMENSIONS. REMOVE ALL BURRS. IF IN DOUBT ASK.

3rd ANGLE PROJECTION:

MATERIAL: SEE NOTES + TABLE

FINISH: SEE NOTES + TABLE

DRAWN: D.P.J.

APPROVED: D.P.J.

TITLE: FEED THROUGH FTP Cat5e RJ45 SHIELDED

DRWG. No. CP30220S

FORM: A4DRWGH