

WIRING DIAGRAM

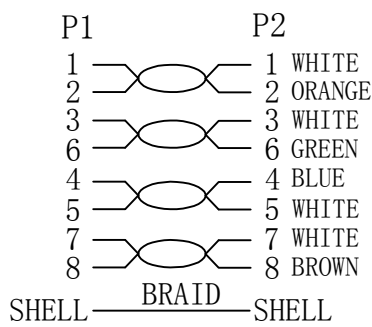


CHART:

COLOR: Grey (RAL 7035)		
ITEM NO.	LENGTH	packing
1383286	250+60/-0mm	VP1:10.5×14cm(depth:2)
1383287	500+60/-0mm	VP1:10.5×14cm(depth:2)
1383288	1000+60/-0mm	VP2:10.5×14cm(depth:3.5)
1383289	3000+100/-0mm	VP2:10.5×24cm(depth:3.5)
1383290	5000+100/-0mm	VP2:10.5×24cm(depth:3.5)
1383291	10000+100/-0mm	VP4:23×29cm(depth:3.5)
1383292	15000+100/-0mm	VP4:23×29cm(depth:7)
1383293	20000+100/-0mm	VP4:23×29cm(depth:7)

MATERIAL LIST

③	OVER MOLD	PVC grey/RAL7035	2	
②	CONNECTOR	RJ45 8P8C Shielded Plug, Pin Gold Plated , Shell Nickel plating, Transparence yellow	2	
①	CABLE	S/FTP CAT.7 (AWG26 BC+AL-FOIL)*4PAIRS +BRAID JACKET:LSZH grey/RAL7035 OD:6.0±0.2mm	1	
NO.	PARTS NAME	SPECIFICATION STANDARD	QT' Y	REMARK
		Change box size		2016-06-24
		NEW		2015-08-27
BY	CHK	REVISION RECORD MODIFICATION	DATE	REV.

NOTE:

- 100% OPEN SHORT, MISS WIRE TEST
- Fluke test :
TEST LIMIT:ISO 11801 Channel Class Ea
- PRINTING:CAT6A S/FTP WITH 600MHz cat7 raw cable 4PAIRS
LSZH HALOGEN FREE
- ROHS2.0 AND REACH COMPLIANT
- Operating temperature:-20°C~+75°C

CUSTOMER		ITEM NO.	SEE THE CHART	
PRODUCT NAME	CAT6A S/FTP WITH cat7 raw cable PATCH CORD		UNIT	MM
DRAWN BY	CHECK BY	APPO BY	DATE	
FERGUS			2015-08-27	