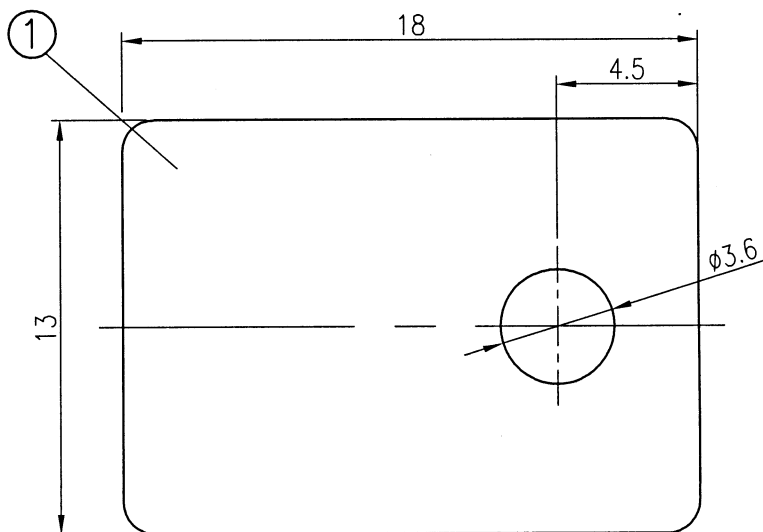
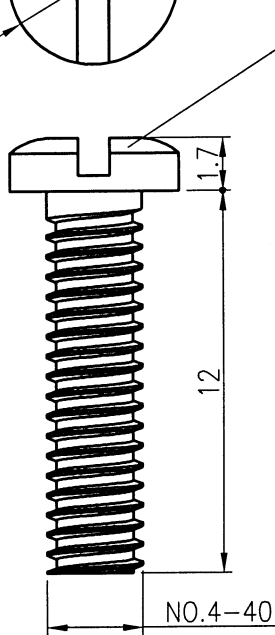
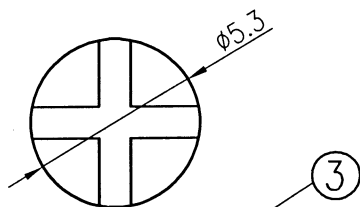
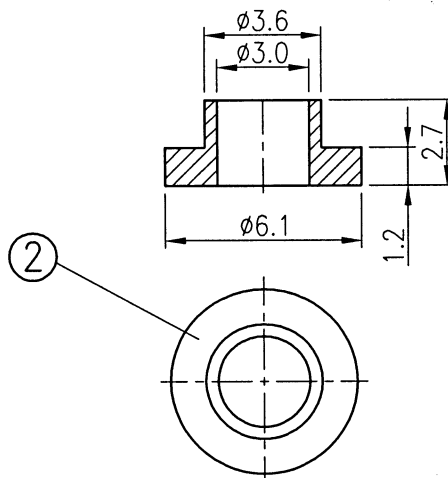
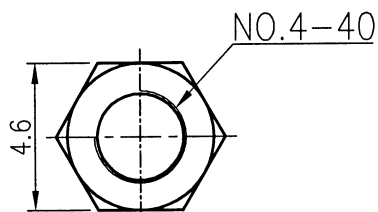
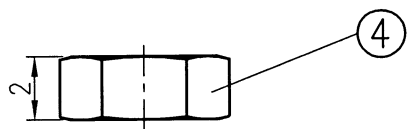


Date	Name	Description	No.
01/29/15	柳新強	陶瓷片增加R角	△



螺紋參數(單位:mm)

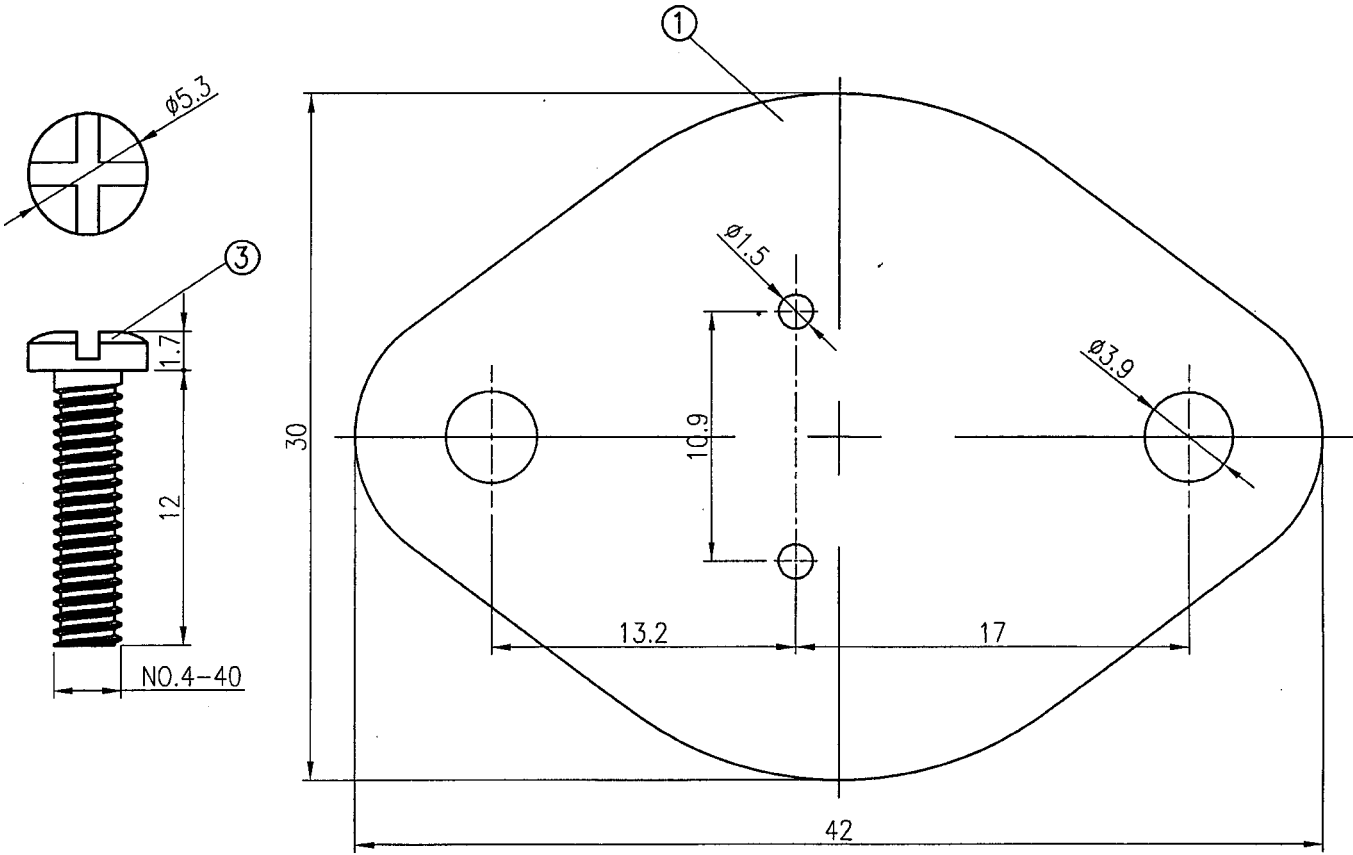
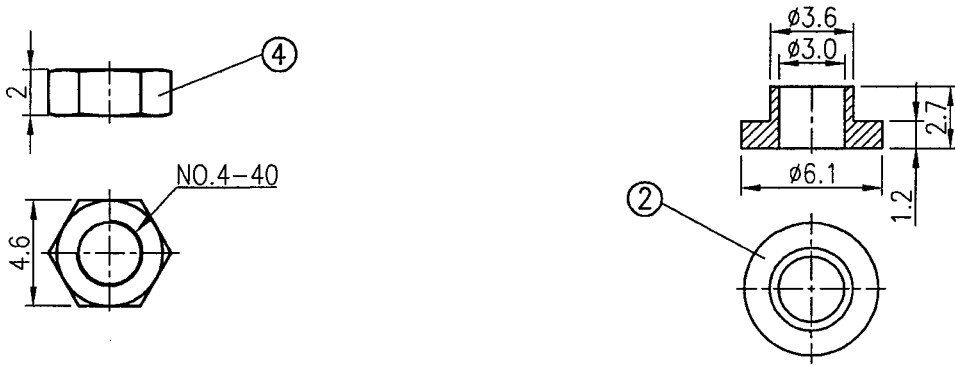
螺紋公稱	螺距	根徑(D)	有效徑(D2)	內徑(D1)	內螺紋
NO.4-40	0.635	2.845	2.433	2.156	內螺紋
螺紋公稱	螺距	外徑(d)	有效徑(d2)	根徑(d1)	外螺紋
NO.4-40	0.635	2.845	2.433	2.156	外螺紋

Tolerance(mm)	
4以下	±0.1
4~16	±0.2
16~63	±0.3
63~250	±0.5

No	Description	Q'ty	Material	Specification	Finish	Remark
4	Nut	1	Fe	4.6*2*NO.4-40		
3	Screw	1	Fe	NO.4-40*12		
2	Bushing	1	PA#66			
1	Ceramics	1	Ceramics	T=1.0mm		

Drawn	Checked	Approved	SCI BOM No.	Model Name	Mounting Hardware
柳新強		<i>Smce</i>	Customer No.	Model No.	A18-10A
01/29/15		1/21-15	Unit	mm	Rev. X1

Date	Name	Description	No.
------	------	-------------	-----



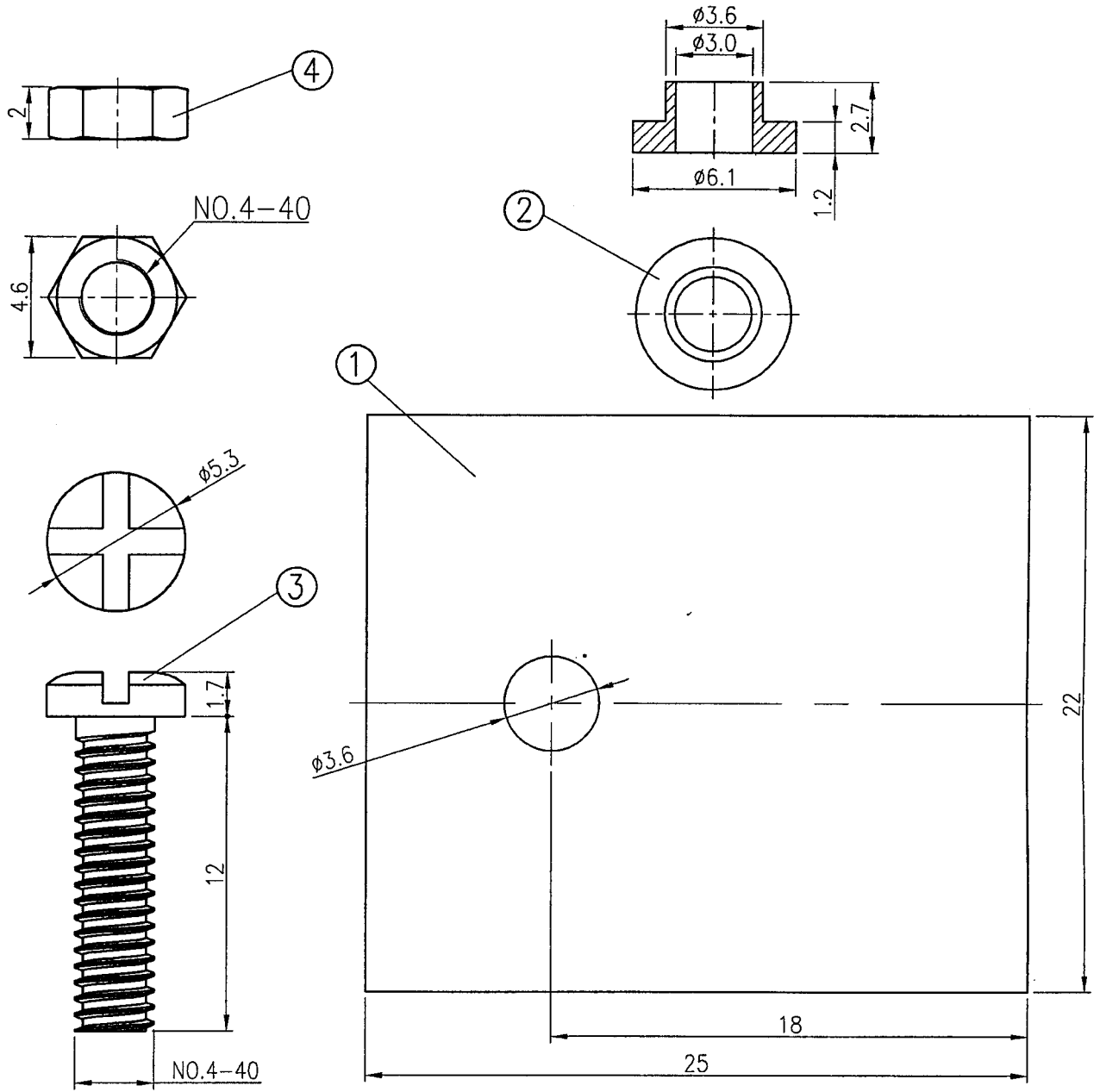
螺紋參數(單位:mm)

螺紋公稱	螺距	根徑(D)	有效徑(D2)	內徑(D1)	內螺紋
NO.4-40	0.635	2.845	2.433	2.156	外螺紋
NO.4-40	0.635	2.845	2.433	2.156	

Tolerance(mm)			
4以下	±0.1	4~16	±0.2
16~63	±0.3	63~250	±0.5

4	Nut	2	Fe	4.6*2*NO.4-40		
3	Screw	2	Fe	NO.4-40*12		
2	Bushing	2	PA#66			
1	Ceramics	1	Ceramics	T=1.0mm		
No	Description	Q'ty	Material	Specification	Finish	Remark
Drawn	Checked	Approved	SCI BOM No.		Model Name	Mounting Hardware
柳新強		<i>Simon</i>	Customer No.		Model No.	A18-10B
12/13/14		12/15-'14	Unit	mm		Rev. X0

Date	Name	Description	No.
			△



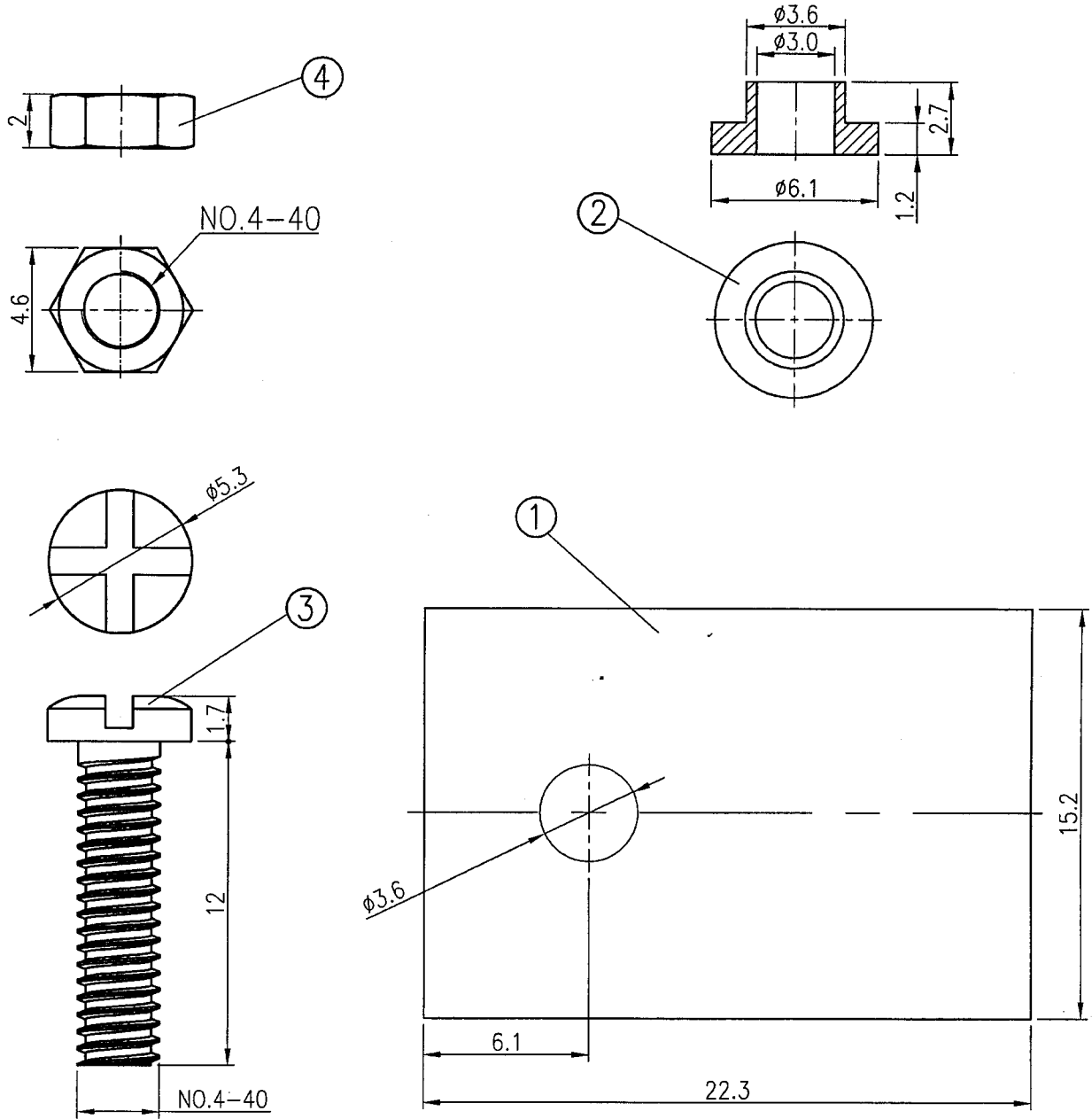
螺紋參數(單位:mm)

螺紋公稱	螺距	根徑(D)	有效徑(D2)	內徑(D1)	內螺紋
NO.4-40	0.635	2.845	2.433	2.156	內螺紋
螺紋公稱	螺距	外徑(d)	有效徑(d2)	根徑(d1)	外螺紋
NO.4-40	0.635	2.845	2.433	2.156	外螺紋

Tolerance(mm)		
4以下	±0.1	4~16 ±0.2
16~63	±0.3	63~250 ±0.5

No	Description	Q'ty	Material	Specification	Finish	Remark
4	Nut	1	Fe	4.6*2*NO.4-40		
3	Screw	1	Fe	NO.4-40*12		
2	Bushing	1	PA#66			
1	Ceramics	1	Ceramics	T=1.0mm		
Drawn	Checked	Approved	SCI BOM No.	Model Name	Mounting Hardware	
柳新強		<i>Simon</i>	Customer No.	Model No.	A18-10C	Rev. X0
12/13/14		12/15-14	Unit	mm		

Date	Name	Description	No.
			△



螺紋參數(單位:mm)

螺紋公稱	螺距	根徑(D)	有效徑(D2)	內徑(D1)	內螺紋
NO.4-40	0.635	2.845	2.433	2.156	
螺紋公稱	螺距	外徑(d)	有效徑(d2)	根徑(d1)	外螺紋
NO.4-40	0.635	2.845	2.433	2.156	

Tolerance(mm)			
4以下	±0.1	4~16	±0.2
16~63	±0.3	63~250	±0.5

4	Nut	1	Fe	4.6*2*NO.4-40		
3	Screw	1	Fe	NO.4-40*12		
2	Bushing	1	PA#66			
1	Mica	1	Mica	T=0.1mm		
No	Description	Q'ty	Material	Specification	Finish	Remark
Drawn	Checked	Approved	SCI BOM No.		Model Name	Mounting Hardware
柳新強		<i>Simon</i>	Customer No.		Model No.	A18-10D
12/13/14		12/15-'14	Unit	mm		Rev. X0