

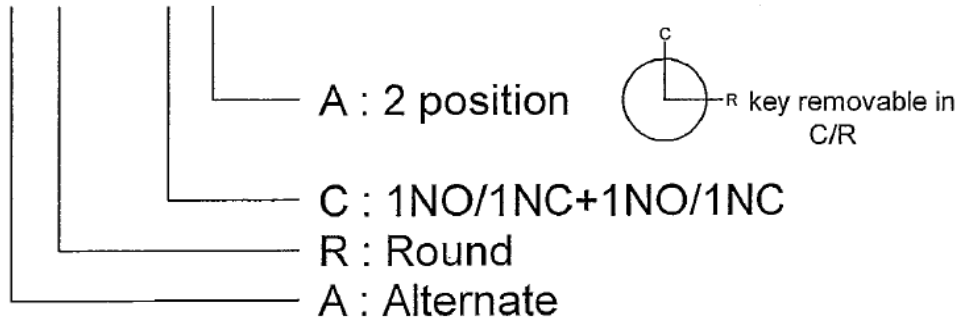
type no.:

ADA16K6 - AR0-CA

RoHS
Compliant

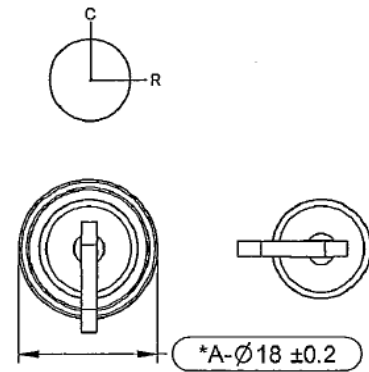
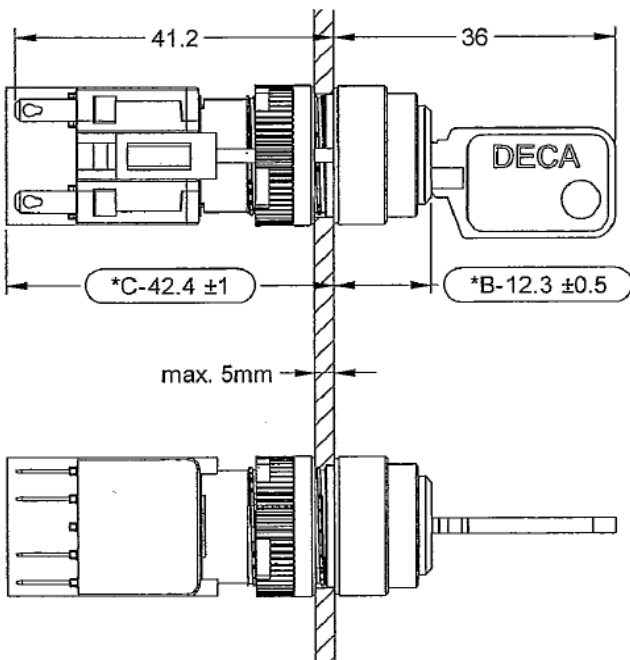
CE

10 DE

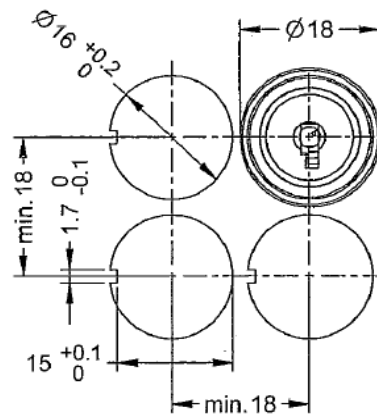


order no.: ADA16K6-AR0-CA (Order no. codes)

Soldering/Plug-in Type Keylock Switch



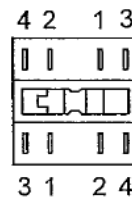
Hole Dia



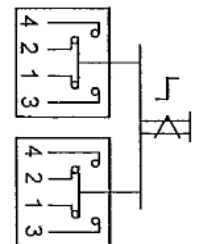
Product Specifications

- Mechanical lifetime : >0.2 million operations
- Electric rating : 250V AC 5A
- Max. insulation voltage: >1500V 60HZ 1min. between all terminals and ground
- Motion tolerance : <20 operation/min
- Panel thickness : 0.5mm ~ 5mm
- Degree of protection : IP 65
- Storage temperature : -40°C to +70°C
- Operating temperature: -25°C to +55°C (-25°C to +70°C without lamp)
- Contact resistance : 20mΩ (initial)

Bottom View



Electrical Diagram



DECA® **SwitchLab Inc.**

CONFIRMED & ACCEPTED BY:

DRAWING NO.	ADA16K6-AR0-CA	VERSION	A	CONFIRMED BY	<i>W. Chen</i>
SHEET OF	2/2	METRIC	MM	GENERAL MANAGER	<i>J. Chen</i>
DRAWN BY	<i>K. Chen</i>	DATE	2011/03/23		