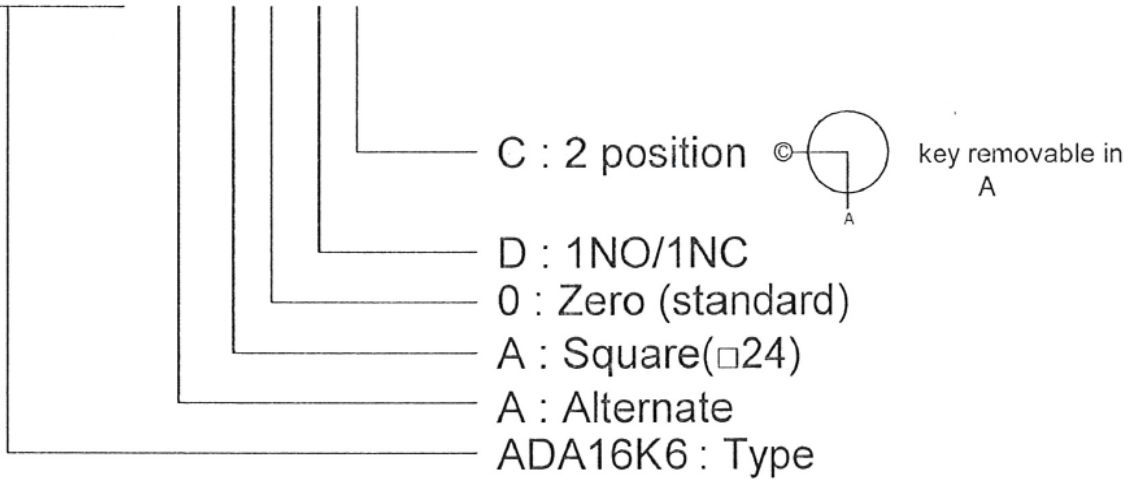
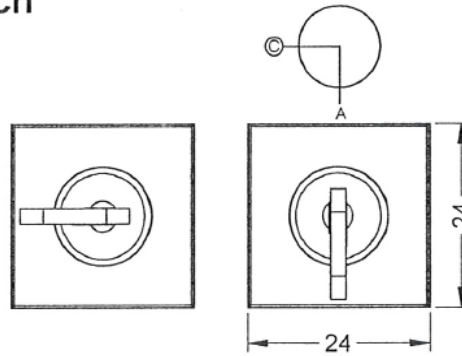
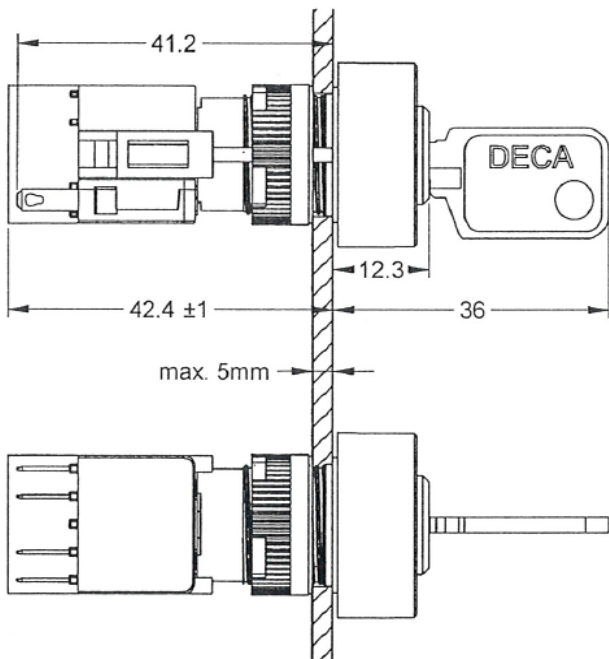


ADA16K6 -AA0-DC

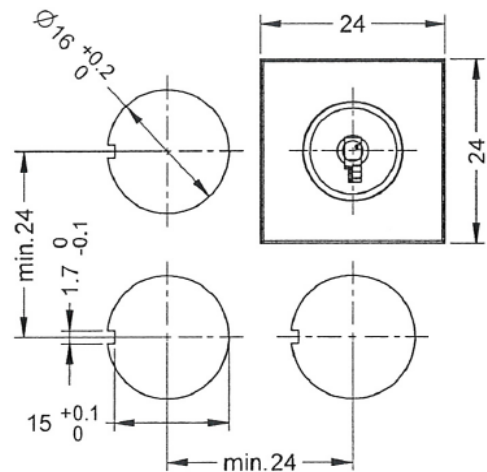
RoHS
Compliant



Soldering/Plug-in Type Keylock Switch



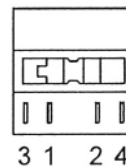
Hole Dia



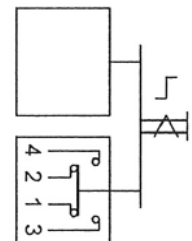
Product Specifications

- Mechanical lifetime : >0.2 million operations
- Electric rating : 250V AC 5A 125V AC 8A
- Max. insulation voltage : >1500V 60HZ 1min. between all terminals and ground
- Motion tolerance : <20 operation/min
- Panel thickness : 0.5mm ~ 5mm
- Degree of protection : IP 65
- Storage temperature : -40°C to +70°C
- Operating temperature : -25°C to +55°C
- Contact resistance : 20m Ω (initial)

Bottom View



Electrical Diagram



DECA[®] SwitchLab Switchlab INC.

CONFIRMED &
ACCEPTED BY:

DRAWING NO.	ADA16K6-AA0-DC	VERSION	A	CONFIRMED BY	<i>Ultradonk</i>
SHEET OF	2/2	METRIC	MM	DRAWN BY	<i>Vingulo</i>
		DATE	2010/07/21	GENERAL MANAGER	<i>Jund</i>