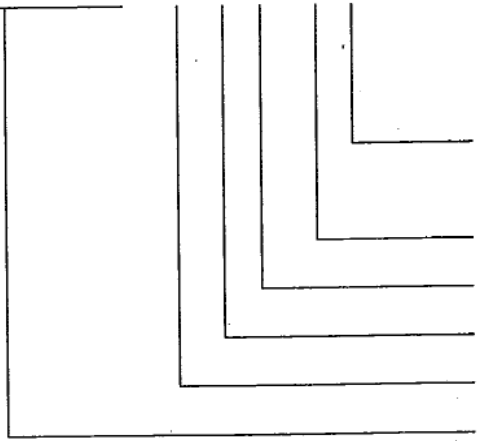



# ADA16K6 -A T0-CC

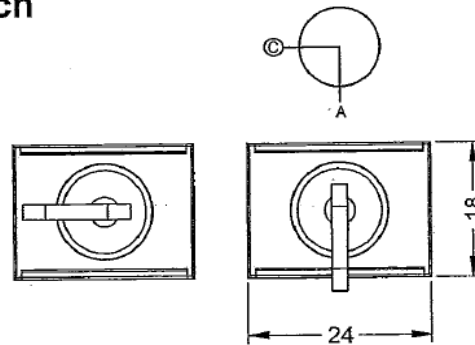
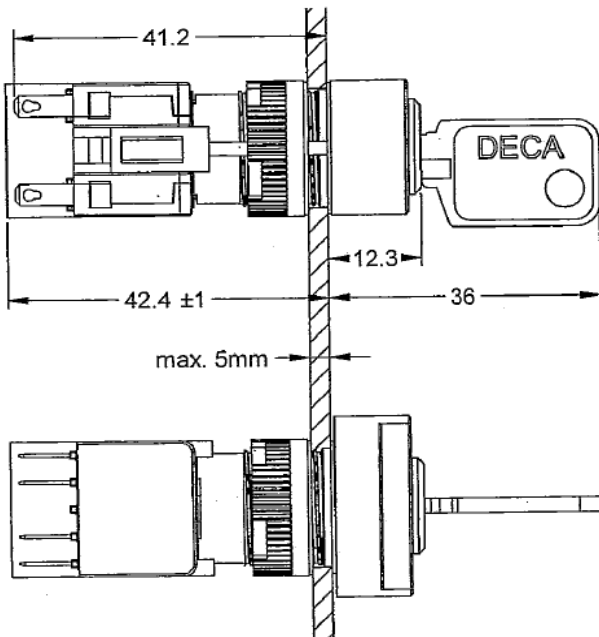
RoHS  
Compliant

CE

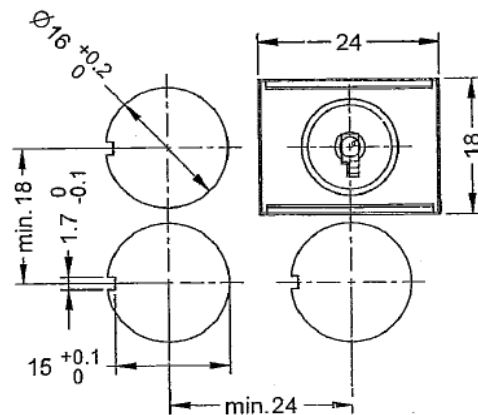


C : 2 position  key removable in A  
 C : 1NO/1NC+1NO/1NC  
 0 : Zero (standard)  
 T : Rectangular  
 A : Alternate  
 ADA16K6 : Type

## Soldering/Plug-in Type Keylock Switch



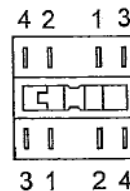
### Hole Dia



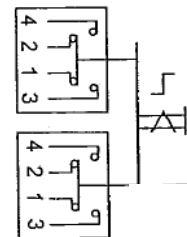
### Product Specifications

- Mechanical lifetime : >0.2 million operations
- Electric rating : 250V AC 5A 125V AC 8A
- Max. insulation voltage : >1500V 60HZ 1min. between all terminals and ground
- Motion tolerance : <20 operation/min
- Panel thickness : 0.5mm ~ 5mm
- Degree of protection : IP 65
- Storage temperature : -40°C to +70°C
- Operating temperature : -25°C to +55°C
- Contact resistance : 20mΩ (initial)

### Bottom View



### Electrical Diagram



**DECA<sup>®</sup> SwitchLab INC.**

CONFIRMED &  
ACCEPTED BY:

DRAWING NO.	ADA16K6-AT0-CC	VERSION	A	CONFIRMED BY	<i>[Signature]</i>
SHEET OF	2/2	METRIC	MM	DRAWN BY	<i>Vingdom</i>
		DATE	2010/04/15	GENERAL MANAGER	<i>[Signature]</i>

單據編號 : QR-0703-08

版次 : A版

Distributed by Conrad Electronic SE