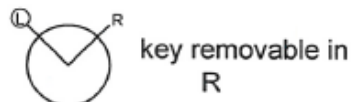
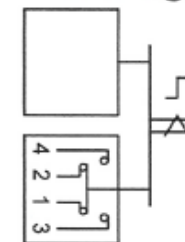


type no.:
ADA16K6 -A T0-D G



Electrical Diagram



G : 2 position

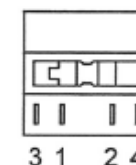
D : 1NO/1NC

A : Alternate

order no.: (Order no. codes)

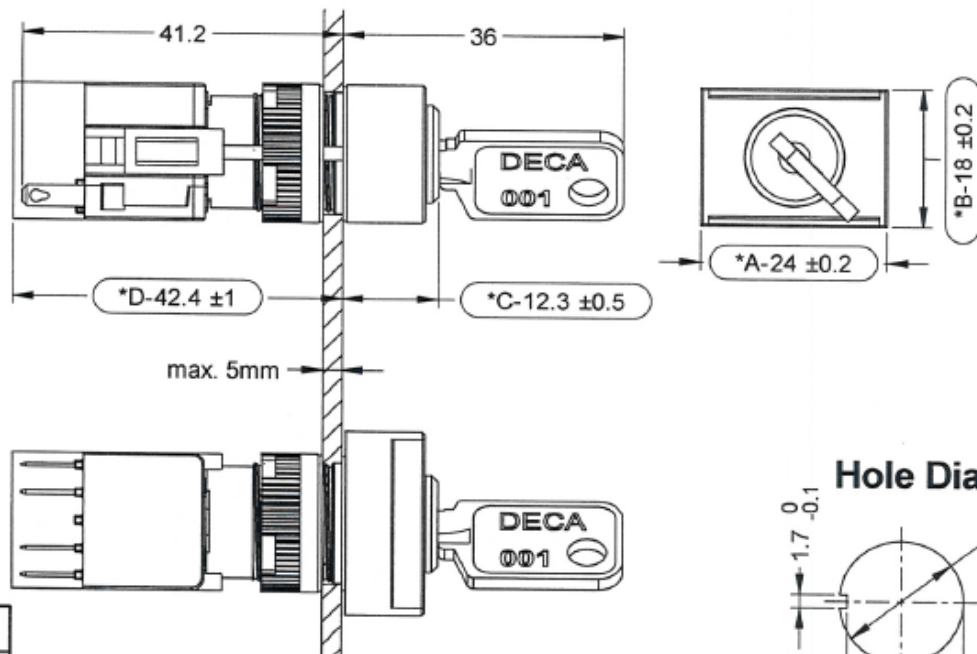
ADA16K6-AT0-DG/□□□

Bottom View



Soldering/Plug-in Type Keylock Switch

Dimensions



Product Specifications

- Mechanical lifetime : >0.2 million operations
- Electric rating : 250V AC 5A
- Dielectric strength : >1500V 60Hz 1min. between all terminals
- Motion tolerance : <20 operation/min.
- Panel thickness : 0.5mm ~ 5mm
- Degree of protection : IP 65 (real usage IP66)
- Storage temperature : -40°C to +70°C
- Operating temperature: -25°C to +55°C with lamp
(-25°C to +70°C without lamp)
- Contact resistance : 20mΩ (initial)

Distributed by Conrad Electronic SE

定案
 A
 REV.

DECA[®]SwitchLab Inc.			PART NAME	UNIT	SCALE
			Soldering/Plug-in Type Keylock Switch	MM	1:1
DESIGNER	CHECK	APPROVE	DRAWING NO.	SHEET	1/1
DATE	DATE	DATE	ADA16K6-AT0-DG		
2013/6/27	2013/6/27	2013/6/27			