

CANblue II (for usage with external antenna)



The Ixxat CANblue II is a cost-effective and versatile bluetooth module for CAN systems. With its three operation modes – PC interface, bridge and gateway – it covers a wide range of application areas. It is ideal for mobile configuration and analysis or for bridging CAN networks via a convenient Bluetooth interface.

By using multiple CANblue II devices, network segments can be easily connected to each other, enhancing flexibility and compatibility in various use cases. Thus, even hard-to-reach systems can be reliably interconnected over long distances of up to 200 meters.

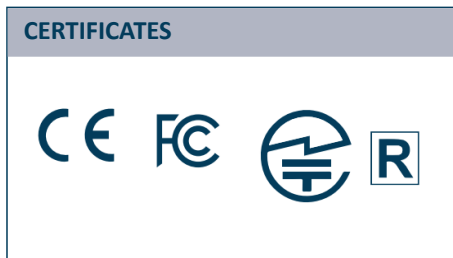
An external antenna can be ordered separately for usage of the CANblue II.

FEATURES AND BENEFITS

- Quick start-up and connection
- High transmission range with low latency and high data throughput
- Flexible configuration options (combination of several CANblue II)
- High performance transmission without message loss
- For usage with external antenna

ORDER NUMBER	1.01.0126.12001
CAN channels (high speed)	1
CAN bus interface	1 x D-Sub 9, CiA standard pinning according to CiA 303-1
CAN performance at 1 Mbit	100 % bus load
CAN controller	CAN 2.0 A/B
CAN high-speed transceiver	SN65HVD251
CAN interface isolation working voltage	130 V AC/DC (continuous)
Galvanic isolation	1 kV DC for 1 sec.
Bluetooth interface	Bluetooth v4.0 with EDR, 200 m max. transmission range
Output power	13 dBm, external antenna
Bluetooth output frequency	2.402 to 2.480 GHz, ISM band
Antenna	External antenna, RP-SMA connector, max. antenna gain 3.4 dBi

ORDER NUMBER	1.01.0126.12001
Maximal distance between two devices in bridge mode	200 m / 650 ft
Bridge set-up time	Typ. 3 to 4 sec.
Bluetooth transfer delay	Approx. 4 ms (average), CAN/Bluetooth or Bluetooth/CAN
Microcontroller	32 bit
Power supply	9 - 30 V DC
Power consumption at 12 V	Typ. 50 mA, max. 100 mA
Dimensions	82 x 64 x 26 mm
Weight	Approx. 83 g
Operating temperature	-40 °C to +85 °C
Protection class	IP20
Relative humidity	10 to 95 %, non-condensing
Certification	CE, FCC, Teleg
Housing material	Plastic housing with mounting holes
LED	Three LEDs (Mode, CAN and Bluetooth)



ACCESSORIES	ORDER NUMBER
Stub Antenna with RPSMA Plug	1.04.0085.00001
Magnetic foot Antenna, 1.5 m	1.04.0085.00000
Screwable Antenna Foot	1.04.0085.00003

PIN ALLOCATION

CAN CONNECTOR D-Sub 9 ①



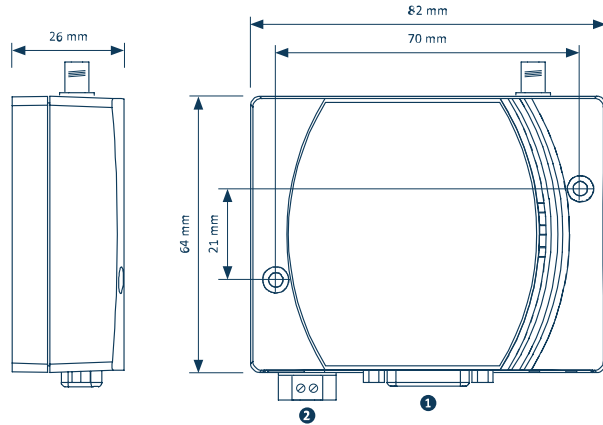
Pin no.	Signal
7	CAN-High
2	CAN-Low
3, 6	CAN-GND

POWER CONNECTOR ②



Pin no.	Signal
1	9 to 30 V DC
2	GND

TECHNICAL DRAWING



SOFTWARE SUPPORT

Drivers and programming interfaces

A comprehensive and stable driver and software package is available for the CANblue II, which can be downloaded free of charge from ixxat.com/support.

The Ixxat driver packages for Windows (VCI) as well as Linux, VxWorks and QNX (ECI) also enable use in existing applications without software adaptation.

The VCI V4 (Virtual Communication Interface) is the driver interface for Ixxat interfaces under Windows and can be downloaded free of charge from ixxat.com/vci or ixxat.com/support. Customer-specific applications for communication via CAN, CAN-FD, LIN and Industrial Ethernet can be developed on the basis of the VCI.

Software tools

The software tool canAnalyser3 Mini is included in the VCI V4 download package and enables the first analysis steps and monitoring in CAN networks. Further information about the tools as well as Demo/Trial versions are available on the Ixxat webpage.