

Features

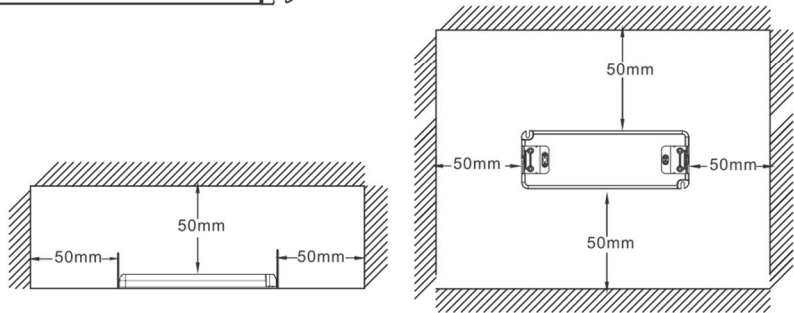
- Universal AC Input / Full Range
- SELV Compliance • MM Marking
- Protection Class II • IP20
- Suitable for LED Lighting
- Compliance to Safety Regulations for Lighting
- 1 Year Warranty

Marks / Approvals



Specifications

OUTPUT	MODEL	Voltage	Min. Load	Max. Load	Max. Power	Ta	Tc
	LED 12V150W-MM	12 V	0.00 A	11.0 A	132 W	45 °C	80 °C
	LED 24V150W-MM	24 V	0.00 A	6.25 A	150 W	45 °C	80 °C
INPUT	Voltage	AC 180 V – 264 V					
	Frequency	50 Hz – 60 Hz					
	Current (rms max)	< 1 A max.					
	Power Factor	0.95					
PROTECTION	Over Current	Yes, Auto Recovery					
	Overvoltage	Yes, Auto Recovery					
	Short Circuit	Yes, Auto Recovery					
	Leakage Current	0.50 mA max. (AC 240 V)					
OTHERS	Surge Current	< 75 A					
	Cooling	Free air convection					
	Efficiency	> 94 %					
	Startup Time	< 2 s					
	Holdup Time	15 ms					
	Working Noise	< 35 dB, pickup at 10 cm					
	Withstand Voltage	AC 3,750 V					
Environment	Power Consumption	< 0.5 W					
	Temperature	Operating: -20 °C to 45 °C / Storage: -40 °C to 80 °C					
	Humidity	Operating: 45 % RH to 85 % RH / Storage: 10 % RH to 95 % RH					
MTBF	475,000 Calculated Hours at 25°C, by MIL-HDBK-217F						
SAFETY	EN 61347-2-13						
EMI	Compliance to EN 55015						
EMS	EN 61000-6-5 / EN 61000-3-3 / EN 61547						
Case Dimensions							



Mounting Location Dimension