

A

B

C

D

E

F

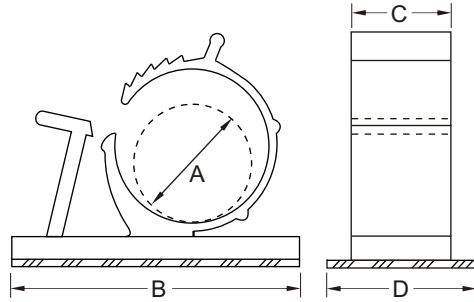
G

H

1

2

3



Material: PP
 Color: Transparent
 Flame class: 94V-2

Part No.	A (mm)	B (mm)	C (mm)	D (mm)
WCN-10TT	11 ~ 13.5	25.4	10	19
WCN-13TT	11.5 ~ 14.5	32	10	19
WCH-16TT	15 ~ 18	38	13	19
WCH-20TT	18.5 ~ 22.5	42	13	25.4
WCH-25TT	23 ~ 27	42	13	25.4

4

5

6

DATE		REVISION		APPROVAL BY		DIMENSION		mm		DRAW No		SU-10030009	
						DRAW BY		Jiri		MODEL No		WCN - TT	
						APPROVAL BY		RIKKI		NAME		Adjustable Wire Mount	
						DATE		15-06-01					