

A

B

C

D

E

F

G

H

1

2

3

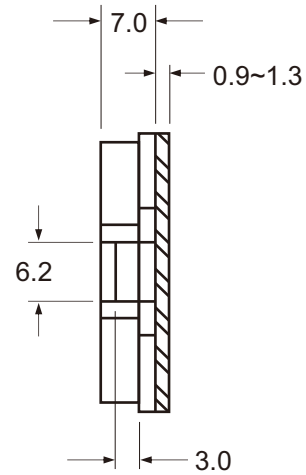
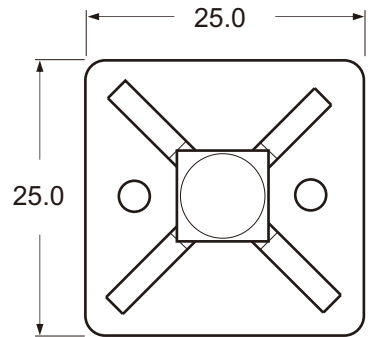
4

5

6

SPECIFICATION

MATERIAL : ABS
 COLOR : TRANSPARENT
 ADHESIVE TYPE : 3M
 TOLERANCE : ± 0.2



DATE	REVISION	APPROVAL BY	DIMENSION	mm
			DRAW BY	Jiri
			APPROVAL BY	Rikki
			DATE	15-06-01

DRAW No	SU-0912005
PART No	WCA-25TT
NAME	WIRE CLAMP