

Artikel-Nr.: 0405044/D

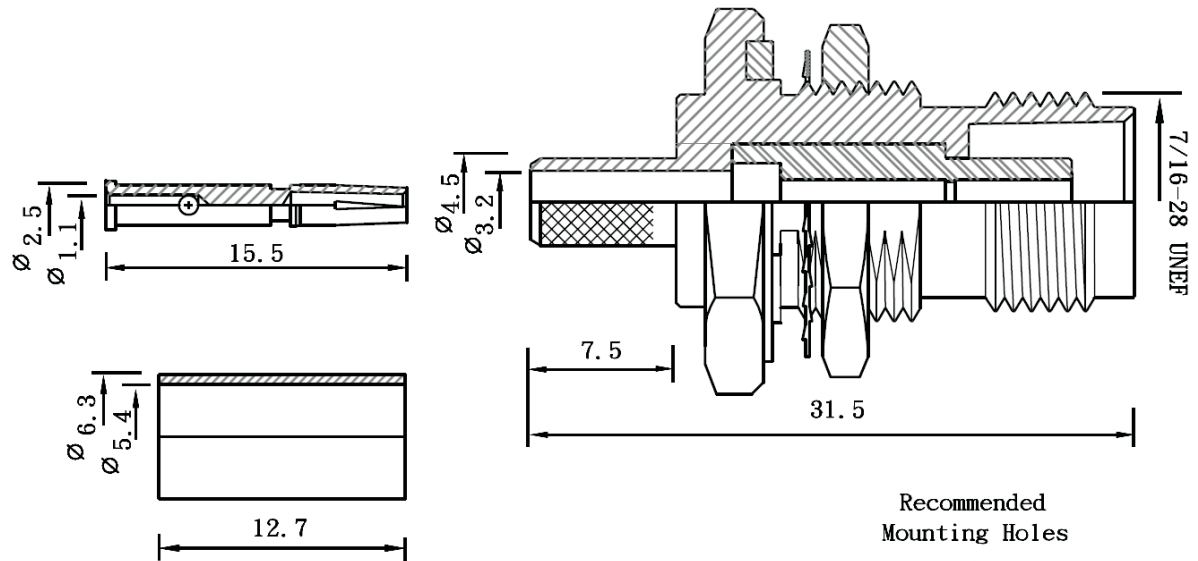
Bez.: TNC-Einbaubuchse, Crimpausführung, Einlochmontage, RG 58/U

| | |
|--------------------------------------|--|
| Impedance | 50Ω |
| Frequency Range | 0 to 4 GHz |
| Voltage Rating | 500 volts peak |
| Dielectric Withstanding Voltage | 1500 volts rms |
| VSWR | M39012 straight connectors: 1.3 max. 0-4GHz M39012 right angle: 1.3 max. 0-4GHz |
| Other (MIL-C-39012 Cable Connectors) | Contact resistance: center contact 1.5 milliohm outer contact 0.2 milliohm Insertion loss: 0.2db max at 3.0GHz Insulation resistance: 5000 mΩ(min) |

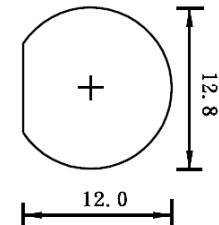
NOTE: FINISH (PLATING THICKNESS IN MICRO-INCHES)

1. BRASS PER JIS-C3604
2. CONNECTOR INTERFACE PER MIL-STD-348A
3. PART TO BE CLEAN AND FREE BURRS
4. NICKEL PL 70 μ" THICK OVER COPPER STRIKE
5. GOLD PL 1-3 μ" OVER NICKEL PL 70 μ" THICK OVER COPPER STRIKE

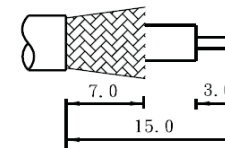
| | | | |
|----|-------------|----------|--------|
| 6 | Gasket | Rubber | Red |
| 5 | Nut | Brass | Nickel |
| 4 | Ferrule | Brass | Nickel |
| 3 | Insulator | Delrin | White |
| 2 | Contact | Brass | Gold |
| 1 | Body | Brass | Nickel |
| No | Description | Material | Finish |



Recommended Mounting Holes



Recommended Cable Stripping



Crimp Tool Kits:
1: Crimped Contact
Hex Crimp Size: .068"
2: Crimped Ferrule
Hex Crimp Size: .213"

www.bkl-electronic.de

Technische Änderungen vorbehalten. Ausführungen können variieren. Sollten Sie ein Muster benötigen kontaktieren Sie uns bitte.

BKL-ELECTRONIC Kreimendahl GmbH • Märkenstück 14 • 58509 Lüdenscheid
Tel: +49 (0)2351-3621-0 • Fax: +49 (0)2351-3621-29 • info@bkl-electronic.de

