

Artikel-Nr.: 0409020

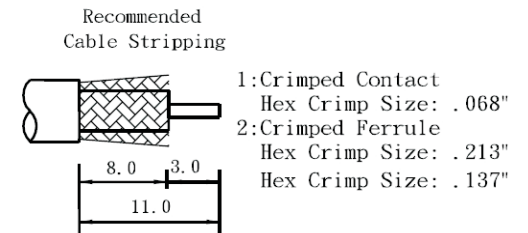
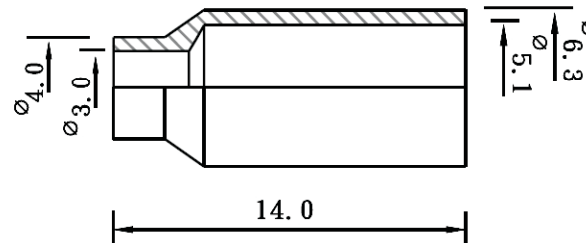
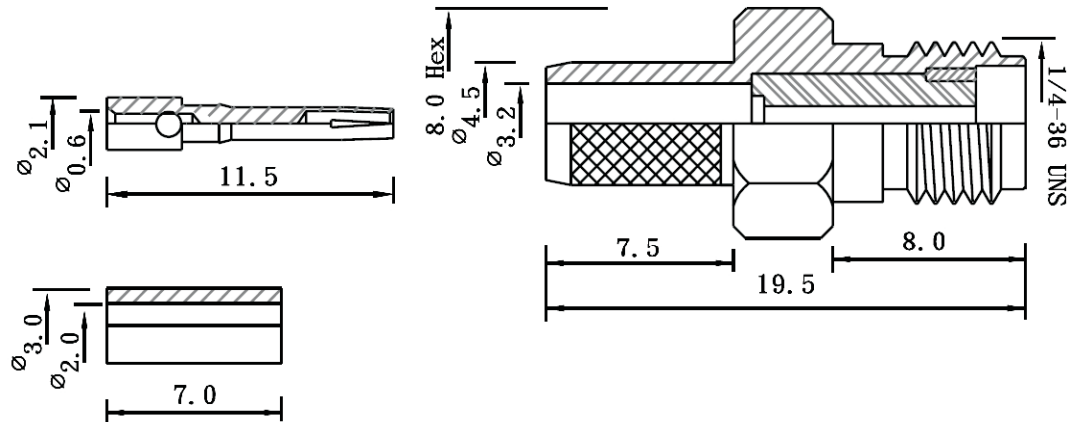
Bez.: SMA-Kupplung, Crimpausführung, RG 174/U

| | |
|---|--|
| Impedance | 50Ω |
| Ferquency range | 0~18 GHz |
| Voltage rating | RG-55.58.141.142.223.303 500: volts peak RG-122.174.188.316.375: 375 volts peak |
| VSWR (straight connectors) | RG-55 group: 1.15+0.011(GHz) RG-178 group: 1.20+0.251(GHz) |
| other (MIL-C-39012 cable connectors) | Contact resistance Center contact: 2.0 milliohm Body contact: 2,0 milliohm Insertion loss:0.03√f(GHz) dB max Insulation resistance:5000 megohms(min) |

NOTE: FINISH (PLATING THICKNESS IN MICRO-INCHES)

1. BRASS PER JIS-C3604
2. PH/BRONZE PER ASTM B196 UNS C17300
3. TEFLON PER ASTM D1457 AND ASTM D1710
4. CONNECTOR INTERFACE PER MIL-STD-348A
5. PART TO BE CLEAN AND FREE BURRS
6. NICKEL PL 70 μ" THICK OVER COPPER STRIKE
7. GOLD PL 1-3 μ" OVER NICKEL PL 70 μ" THICK OVER COPPER STRIKE

| | | | |
|----|-------------|-----------|--------|
| 5 | Support | Delrin | White |
| 4 | Ferrule | Brass | Nickel |
| 3 | Insulator | Teflon | White |
| 2 | Contact | PH/Bronze | Gold |
| 1 | Body | Brass | Nickel |
| No | Description | Material | Finish |



www.bkl-electronic.de

Technische Änderungen vorbehalten. Ausführungen können variieren. Sollten Sie ein Muster benötigen kontaktieren Sie uns bitte.

BKL-ELECTRONIC Kreimendahl GmbH • Märkenstück 14 • 58509 Lüdenscheid

Tel: +49 (0)2351-3621-0 • Fax: +49 (0)2351-3621-29 • info@bkl-electronic.de

