

Artikel-Nr.: 0401001/D

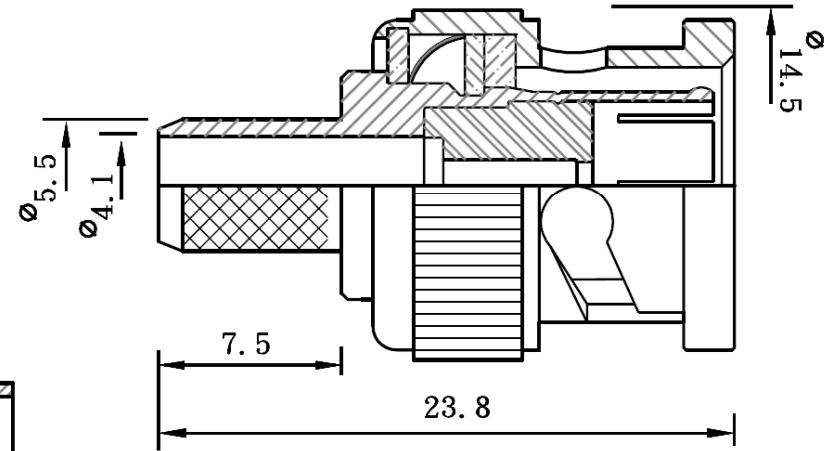
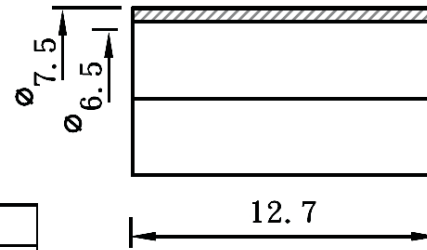
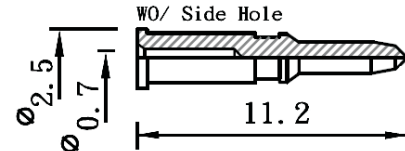
Bez.: BNC-Stecker, Crimpauf., RG 59/U

Impedance	75Ω
Frequency Range	0 to 4 GHz
Voltage Rating	500 volts peak
Dielectric Withstanding Voltage	1500 volts rms
VSWR	M39012 straight connectors: 1.3 max. 0-4GHz M39012 right angle: 1.3 max. 0-4GHz
Other (MIL-C-39012 Cable Connectors)	Contact resistance: center contact 1.5 milliohm outer contact 0.2 milliohm Insertion loss: 0.2db max at 3.0GHz Insulation resistance: 5000 mΩ(min)

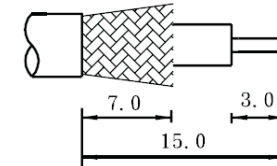
NOTE: FINISH (PLATING THICKNESS IN MICRO-INCHES)

1. BRASS PER JIS-C3604
2. CONNECTOR INTERFACE PER MIL-STD-348A
3. PART TO BE CLEAN AND FREE BURRS
4. NICKEL PL 70 μ" THICK OVER COPPER STRIKE
5. GOLD PL 1-3 μ" OVER NICKEL PL 70 μ" THICK OVER COPPER STRIKE

No	Description	Material	Finish
5	Ferrule	Brass	Nickel
4	Shell	Zinc(Diecast)	Nickel
3	Insulator	Delrin	White
2	Contact	Brass	Gold
1	Body	Brass	Nickel



Recommended Cable Stripping



- 1: Crimped Contact  
Hex Crimp Size: .068"
  - 2: Crimped Ferrule  
Hex Crimp Size: .256"
- (Crimp Tool :HT-301D)

[www.bkl-electronic.de](http://www.bkl-electronic.de)

Technische Änderungen vorbehalten. Ausführungen können variieren. Sollten Sie ein Muster benötigen kontaktieren Sie uns bitte.

BKL-ELECTRONIC Kreimendahl GmbH • Märkenstück 14 • 58509 Lüdenscheid  
Tel: +49 (0)2351-3621-0 • Fax: +49 (0)2351-3621-29 • [info@bkl-electronic.de](mailto:info@bkl-electronic.de)

