

## Clamp DSZY1-H01

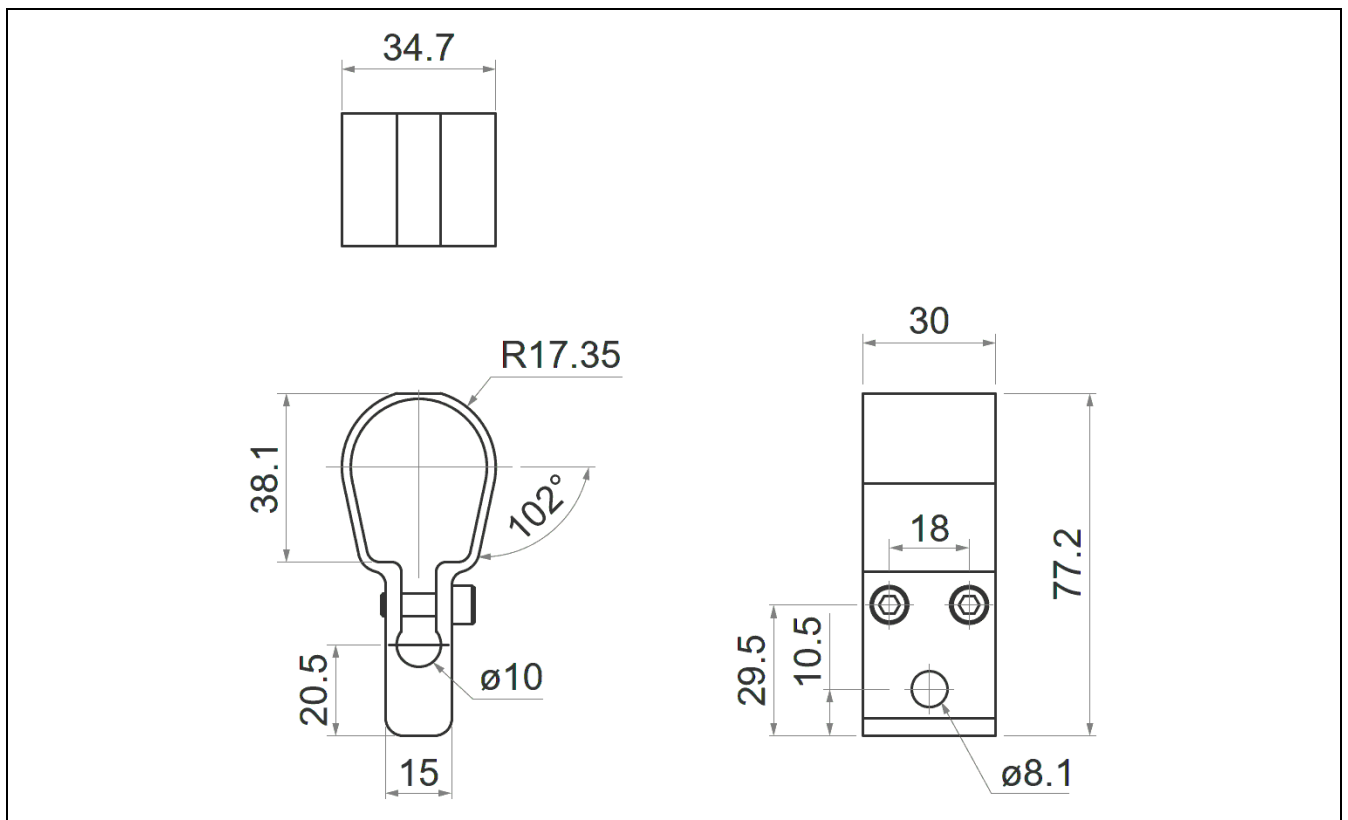
It is often necessary to fix the electric actuator rigidly. For the DSZY1 and DSZY1Q series, our DSZY1-H01 bracket is particularly suitable for this purpose.


This is a clamp made of aluminum, which is suitable for fastening the cylinder to the piston rod housing.

For longer stroke lengths, we recommend the use of 2 clamps.



## Dimensions



 MSW Motion Control GmbH	<b>Drive System Europe by MSW<sup>®</sup></b> A trade mark of MSW Motion Control GmbH	
	MSW Motion Control GmbH Vertriebsgesellschaft Schloßstr. 32/34, 33824 Werther (Westf.) Germany	<a href="mailto:anfrage@msw-motion.de">anfrage@msw-motion.de</a> <a href="http://www.msw-motion.de">www.msw-motion.de</a> Phone: +49 (0)5203 919200