

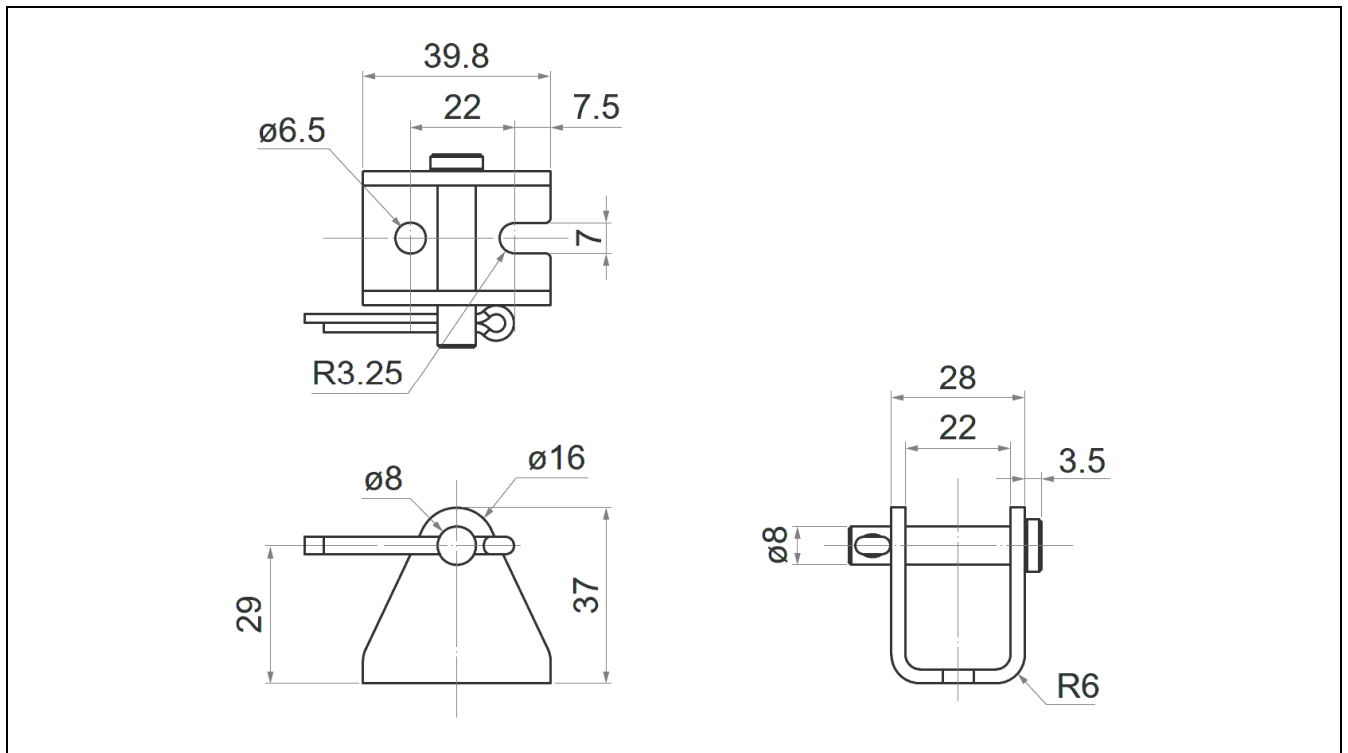
Mounting Bracket DSZY1-H02

It is often necessary to mount the electric cylinder movably.
For the DSZY1 and DSZY1Q series, our mounting bracket DSZY1-H02 is particularly suitable for this purpose.

This is a white galvanized bearing bracket suitable for mounting the cylinder on the gearbox cover and on the piston rod.



Dimensions



MSW Motion Control GmbH

Drive System Europe by MSW[®]

A trade mark of MSW Motion Control GmbH

MSW Motion Control GmbH
Vertriebsgesellschaft
Schloßstr. 32/34, 33824 Werther (Westf.)
Germany

anfrage@msw-motion.de
www.msw-motion.de
Phone: +49 (0)5203 919200