

TOLERANCE UNLESS OTHERWISE SPECIFIED IN MM:  
 0.0 ± 0.20  
 0.00 ± 0.10  
 0.000 ± 0.05

ANGLE x°

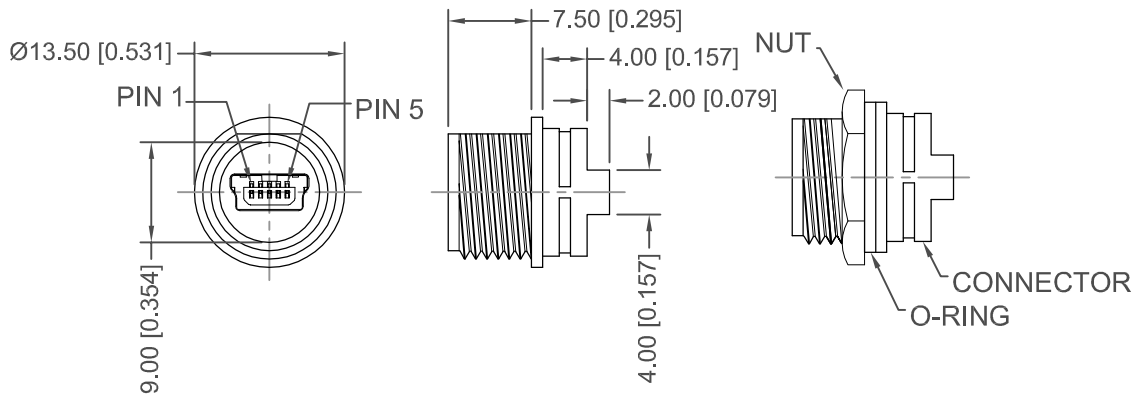
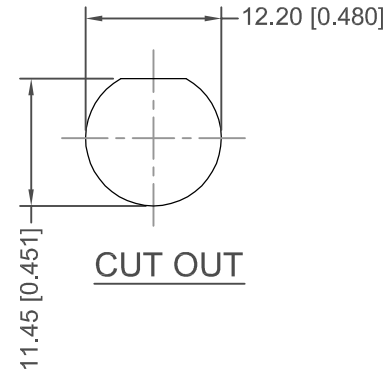
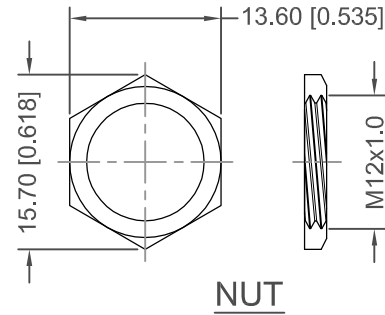
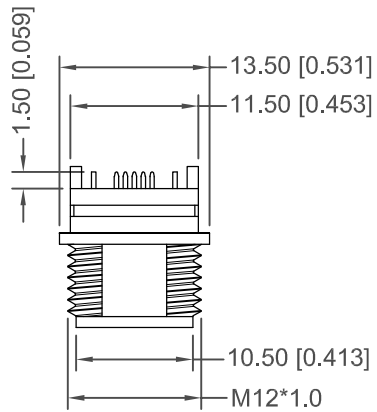
THIS IS A C.A.D. GENERATED DRAWING  
 DO NOT MAKE MANUAL REVISIONS TO MASTER.



ISSUE NUMBER

ORIGINAL

1



1 . MATERIAL :

- 1-1 . HOUSING : LCP UL94V-0 ; COLOR : BLACK
- 1-2 . CONTACT : PHOSPHOR BRONZE
- 1-3 . SHELL : BRASS

2 . PARTS

- 2-1 . EXTERNAL NUT : PBT UL 94V-0 ; COLOR : BLACK
- 2-2 . O-RING : EPDM (1.5\*9.5) ; COLOR : BLACK.

3 . PLATING

- 3-1 . CONTACT : GOLD PLATING ON CONTACT AREA  
BRIGHT TIN ON SOLDER AREA
- 3-2 . SHELL : NICKEL PLATING ON OVER ALL

4 . SPECIFICATION :

- 4-1 . Water proof: IP67



THIS SERIES FULLY CONFORMS TO THE EUROPEAN UNION DIRECTIVES 2002/95/EC AND 2002/96/EC FOR RoHS COMPLIANCY.

WATERPROOF MINI USB TYPE B, 5P  
(FEMALE)



EDAC INC  
TORONTO, ONTARIO  
CANADA

YOUR CONNECTION TO QUALITY & SERVICE

THESE DRAWINGS AND SPECIFICATIONS ARE THE PROPERTY OF EDAC INC., AND SHALL NOT BE REPRODUCED, OR COPIED OR USED AS THE BASIS FOR THE MANUFACTURE OR SALE OF APPARATUS WITHOUT WRITTEN PERMISSION.

ACAD REFERENCE NO.: 690-W05-260-044

DRAWN: R.STA.MONICA

DATE: MAY.01/2014

CHECKED:

DATE:

PART NUMBER

690-W05-260-044

SHEET 1 OF 1

DRAWING NUMBER

690-W05-260-044

ISSUE

1