

TOLERANCE UNLESS OTHERWISE SPECIFIED IN MM:
 0.0 ± 0.20 ANGLE x°
 0.00 ± 0.10
 0.000 ± 0.05

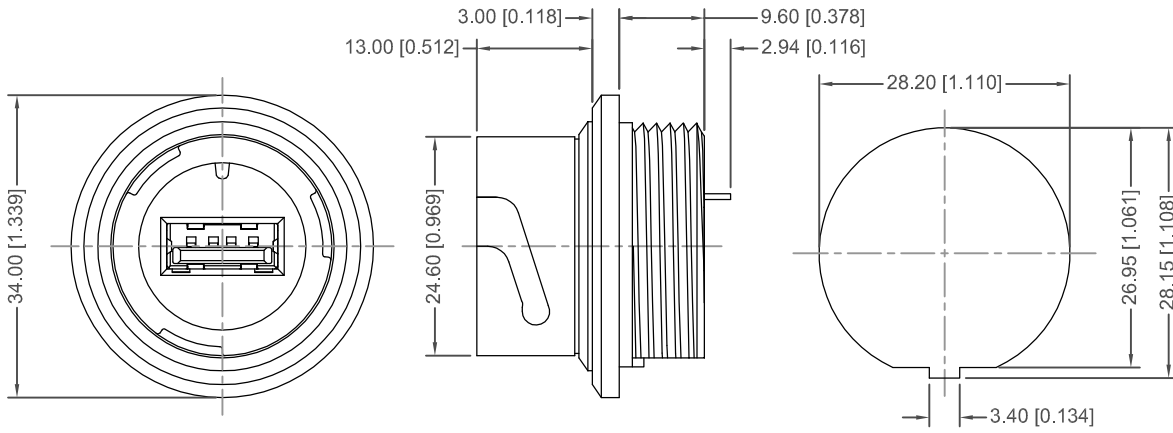
THIS IS A C.A.D. GENERATED DRAWING
 DO NOT MAKE MANUAL REVISIONS TO MASTER.



ISSUE NUMBER

ORIGINAL

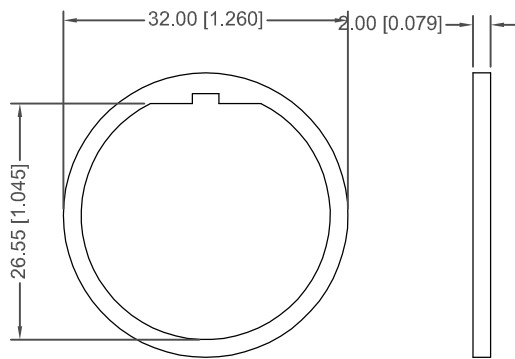
1



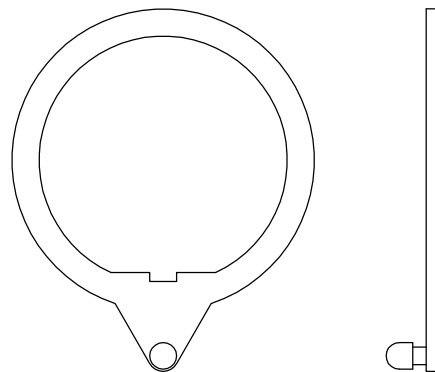
MATERIAL :

- 1 . USB CONN
 - 1-2 . HOUSING : PBT UL 94V-0 ; COLOR : BLACK
 - 1-3 . CONTACT : PHOSPHOR BRONZE
 - 1-4 . SHELL : BRASS
- 2 . PARTS
 - 2-1 . EXTERNAL HOUSING : PBT UL 94V-0 ; COLOR : BLACK
 - 2-2 . NUT : PBT UL 94V-0 ; COLOR : BLACK
 - 2-3 . WASHER : PBT UL 94V-0 ; COLOR : BLACK
 - 2-4 . O-RING : SILICON
- 3 . PLATING
 - 3-1 . CONTACT : GOLD PLATING ON CONTACT AREA
BRIGHT TIN ON SOLDER AREA
 - 3-2 . SHELL : NICKEL PLATING OVER ALL

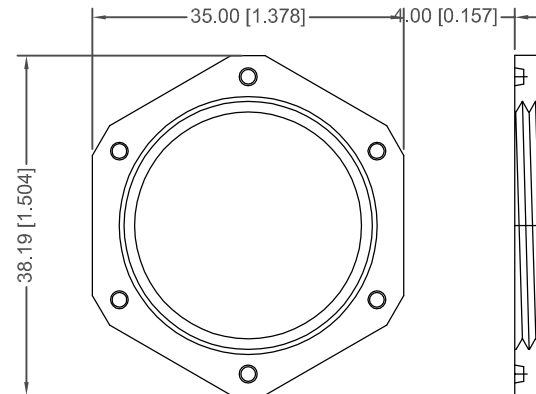
PANEL CUT-OUT



O-RING



WASHER



NUT



THIS SERIES FULLY CONFORMS TO THE EUROPEAN UNION DIRECTIVES 2002/95/EC AND 2002/96/EC FOR RoHS COMPLIANCY.

**WATERPROOF USB TYPE A, 4P
(FEMALE)**



EDAC INC
 TORONTO, ONTARIO
 CANADA

YOUR CONNECTION TO QUALITY & SERVICE

THESE DRAWINGS AND SPECIFICATIONS ARE THE PROPERTY OF EDAC INC., AND SHALL NOT BE REPRODUCED, OR COPIED OR USED AS THE BASIS FOR THE MANUFACTURE OR SALE OF APPARATUS WITHOUT WRITTEN PERMISSION.

ACAD REFERENCE NO.: 690-W04-260-014

DRAWN: R.STA.MONICA

DATE: APR.07/2014

CHECKED:

DATE:

PART NUMBER

690-W04-260-014

SHEET 1 OF 1

DRAWING NUMBER

690-W04-260-014

ISSUE

1