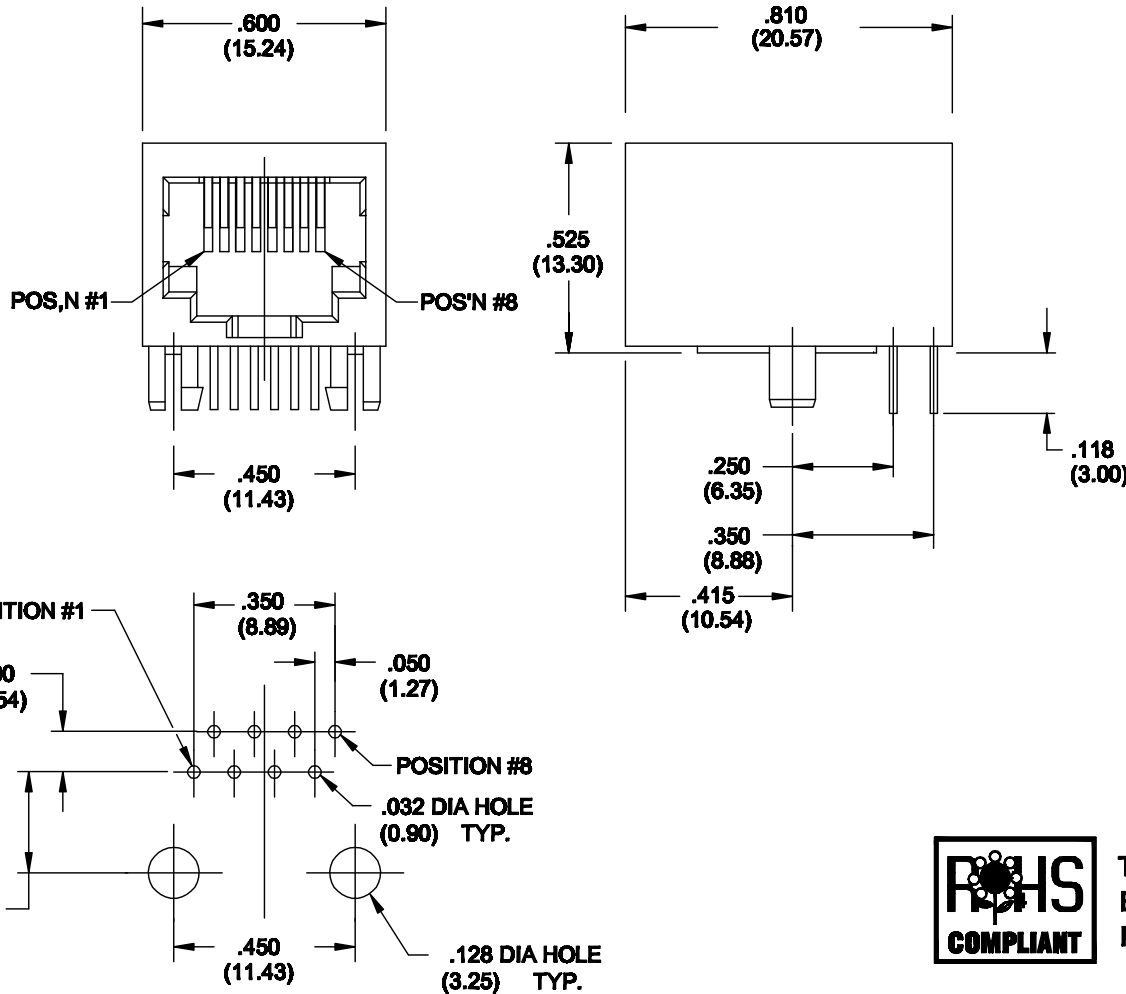




ISSUE NUMBER	
ORIGINAL	①
REF. TO RoHS ADDED F.BRIONES SEP. 20/06	②
REF. TO PIN POS'N ADDED R.BLAKEY OCT. 25/06	③



NOTES

MATERIAL AND FINISH:

**BODY: HOUSING: PBT POLYESTER
UL94V-0 RATED, MIXED GLASS FIBER.
STANDARD COLOR: BLACK**

**CONTACTS: PHOSPHOR BRONZE(0.45mm DIA.)
PLATED WITH GOLD AS PER PART NO. TABLE**

**CAVITY CONFORMS TO FCC RULES AND
REGULATIONS PART 68, SUBPART F**

- AOO-108-260-450 GOLD FLASH
- AOO-108-360-450 15 MICROINCHES OF GOLD
- AOO-108-660-450 30 MICROINCHES OF GOLD
- AOO-108-960-450 50 MICROINCHES OF GOLD



**THIS SERIES FULLY CONFORMS TO THE
EUROPEAN UNION DIRECTIVES 2011/65/EU
RoHS COMPLIANCY.**

PC BOARD LAYOUT

8 POSITIONS JACK		ACAD REF. DRAWING: A00-108-661-450	
		DRAWN: F.BRIONES	DATE: SEP.17/01
CHECKED:	DATE:	SCALE: 1:1	SHEET 1 OF 1
DRAWING NUMBER		ISSUE	
A00-108-260-450		3	



EDAC INC
TORONTO, ONTARIO
CANADA

YOUR CONNECTION TO QUALITY & SERVICE

THESE DRAWINGS AND SPECIFICATIONS
ARE THE PROPERTY OF EDAC INC, AND
SHALL NOT BE REPRODUCED, OR COPIED
OR USED AS THE BASIS FOR THE
MANUFACTURE OR SALE OF APPARATUS
WITHOUT WRITTEN PERMISSION.