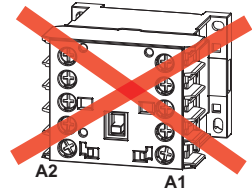


mm ² (IEC)	1x 0.5...2.5 2x 0.5...2.5 1x 0.75...2.5 2x 0.75...2.5 1x 0.5...2.5 2x 0.5...2.5
AWG (UL)	18...12
IEC (N/m)	UE (B-H)
Philips #2	1...1.5 8.8...13.3

mm ² (IEC)	1x 0.5...2.5 2x 0.5...2.5 1x 0.75...2.5 2x 0.75...2.5 1x 0.5...2.5 2x 0.5...2.5
AWG (UL)	22...12
IEC (N/m)	UE (B-H)
Philips #2	1...1.5 7...13.3

POSIÇÃO DE MONTAGEM
MOUNTING POSITION
POSICION DE MONTAJE
EINBAULAGE

- TODAS POSSÍVEIS, EXCETO...
- AS REQUIRED, EXCEPT...
- CUALQUIERA, EXCEPTO...
- BELIEBIG, AUßER...



ATENÇÃO: Os dados técnicos são de provável natureza orientativa. Não se deve confiar exclusivamente nos dados técnicos sem a verificação prévia do produto. O fabricante não se responsabiliza por danos ou prejuízos decorrentes do uso incorreto dos produtos.

WICHTIG: Die technischen Daten sind von vorläufiger Natur. Bitte überprüfen Sie die technischen Daten vor dem Einsatz. Der Hersteller übernimmt keine Haftung für Schäden oder Verluste, die aus dem Einsatz der Produkte resultieren.

ATTENZIONE: I dati tecnici sono di probabile natura orientativa. Non si deve fidarsi esclusivamente dei dati tecnici senza la verifica preliminare del prodotto. Il fabbricante non si assume alcuna responsabilità per danni o pregiudizi derivanti dall'uso improprio dei prodotti.

BEACHTUNG: Die technischen Daten sind von vorläufiger Natur. Bitte überprüfen Sie die technischen Daten vor dem Einsatz. Der Hersteller übernimmt keine Haftung für Schäden oder Verluste, die aus dem Einsatz der Produkte resultieren.

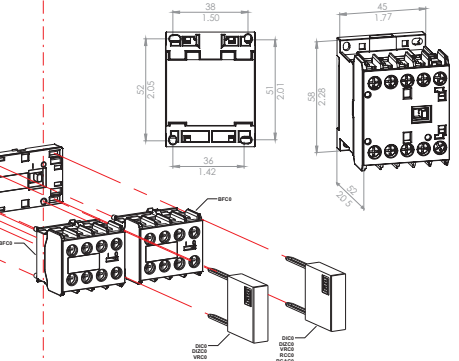
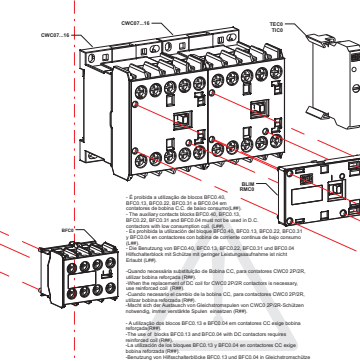
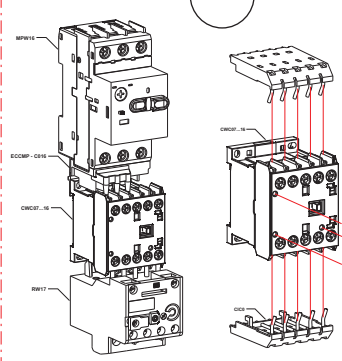
CAUTION: The technical data are of a probable nature. Do not rely on the technical data without the preliminary check of the product. The manufacturer does not accept any liability for damage or loss resulting from the use of the products.

ATTENTION: Les données techniques sont de nature probable. Ne s'en fondez pas exclusivement sur les données techniques sans vérification préalable du produit. Le fabricant ne s'engage pas à répondre de dommages ou de pertes résultant de l'utilisation incorrecte des produits.

ATTENÇÃO: Os dados técnicos são de provável natureza orientativa. Não se deve confiar exclusivamente nos dados técnicos sem a verificação prévia do produto. O fabricante não se responsabiliza por danos ou prejuízos decorrentes do uso incorreto dos produtos.

CAUTION: The technical data are of a probable nature. Do not rely on the technical data without the preliminary check of the product. The manufacturer does not accept any liability for damage or loss resulting from the use of the products.

ATTENTION: Les données techniques sont de nature probable. Ne s'en fondez pas exclusivement sur les données techniques sans vérification préalable du produit. Le fabricant ne s'engage pas à répondre de dommages ou de pertes résultant de l'utilisation incorrecte des produits.



É proibida a utilização de terminais BFC04-05, BFC06-07, BFC08-09, BFC10-11, BFC12-13, BFC14-15, BFC16-17, BFC18-19, BFC20-21, BFC22-23, BFC24-25, BFC26-27, BFC28-29, BFC30-31, BFC32-33, BFC34-35, BFC36-37, BFC38-39, BFC40-41, BFC42-43, BFC44-45, BFC46-47, BFC48-49, BFC50-51, BFC52-53, BFC54-55, BFC56-57, BFC58-59, BFC60-61, BFC62-63, BFC64-65, BFC66-67, BFC68-69, BFC70-71, BFC72-73, BFC74-75, BFC76-77, BFC78-79, BFC80-81, BFC82-83, BFC84-85, BFC86-87, BFC88-89, BFC90-91, BFC92-93, BFC94-95, BFC96-97, BFC98-99, BFC100-101, BFC102-103, BFC104-105, BFC106-107, BFC108-109, BFC110-111, BFC112-113, BFC114-115, BFC116-117, BFC118-119, BFC120-121, BFC122-123, BFC124-125, BFC126-127, BFC128-129, BFC130-131, BFC132-133, BFC134-135, BFC136-137, BFC138-139, BFC140-141, BFC142-143, BFC144-145, BFC146-147, BFC148-149, BFC150-151, BFC152-153, BFC154-155, BFC156-157, BFC158-159, BFC160-161, BFC162-163, BFC164-165, BFC166-167, BFC168-169, BFC170-171, BFC172-173, BFC174-175, BFC176-177, BFC178-179, BFC180-181, BFC182-183, BFC184-185, BFC186-187, BFC188-189, BFC190-191, BFC192-193, BFC194-195, BFC196-197, BFC198-199, BFC200-201, BFC202-203, BFC204-205, BFC206-207, BFC208-209, BFC210-211, BFC212-213, BFC214-215, BFC216-217, BFC218-219, BFC220-221, BFC222-223, BFC224-225, BFC226-227, BFC228-229, BFC230-231, BFC232-233, BFC234-235, BFC236-237, BFC238-239, BFC240-241, BFC242-243, BFC244-245, BFC246-247, BFC248-249, BFC250-251, BFC252-253, BFC254-255, BFC256-257, BFC258-259, BFC260-261, BFC262-263, BFC264-265, BFC266-267, BFC268-269, BFC270-271, BFC272-273, BFC274-275, BFC276-277, BFC278-279, BFC280-281, BFC282-283, BFC284-285, BFC286-287, BFC288-289, BFC290-291, BFC292-293, BFC294-295, BFC296-297, BFC298-299, BFC300-301, BFC302-303, BFC304-305, BFC306-307, BFC308-309, BFC310-311, BFC312-313, BFC314-315, BFC316-317, BFC318-319, BFC320-321, BFC322-323, BFC324-325, BFC326-327, BFC328-329, BFC330-331, BFC332-333, BFC334-335, BFC336-337, BFC338-339, BFC340-341, BFC342-343, BFC344-345, BFC346-347, BFC348-349, BFC350-351, BFC352-353, BFC354-355, BFC356-357, BFC358-359, BFC360-361, BFC362-363, BFC364-365, BFC366-367, BFC368-369, BFC370-371, BFC372-373, BFC374-375, BFC376-377, BFC378-379, BFC380-381, BFC382-383, BFC384-385, BFC386-387, BFC388-389, BFC390-391, BFC392-393, BFC394-395, BFC396-397, BFC398-399, BFC400-401, BFC402-403, BFC404-405, BFC406-407, BFC408-409, BFC410-411, BFC412-413, BFC414-415, BFC416-417, BFC418-419, BFC420-421, BFC422-423, BFC424-425, BFC426-427, BFC428-429, BFC430-431, BFC432-433, BFC434-435, BFC436-437, BFC438-439, BFC440-441, BFC442-443, BFC444-445, BFC446-447, BFC448-449, BFC450-451, BFC452-453, BFC454-455, BFC456-457, BFC458-459, BFC460-461, BFC462-463, BFC464-465, BFC466-467, BFC468-469, BFC470-471, BFC472-473, BFC474-475, BFC476-477, BFC478-479, BFC480-481, BFC482-483, BFC484-485, BFC486-487, BFC488-489, BFC490-491, BFC492-493, BFC494-495, BFC496-497, BFC498-499, BFC500-501, BFC502-503, BFC504-505, BFC506-507, BFC508-509, BFC510-511, BFC512-513, BFC514-515, BFC516-517, BFC518-519, BFC520-521, BFC522-523, BFC524-525, BFC526-527, BFC528-529, BFC530-531, BFC532-533, BFC534-535, BFC536-537, BFC538-539, BFC540-541, BFC542-543, BFC544-545, BFC546-547, BFC548-549, BFC550-551, BFC552-553, BFC554-555, BFC556-557, BFC558-559, BFC560-561, BFC562-563, BFC564-565, BFC566-567, BFC568-569, BFC570-571, BFC572-573, BFC574-575, BFC576-577, BFC578-579, BFC580-581, BFC582-583, BFC584-585, BFC586-587, BFC588-589, BFC590-591, BFC592-593, BFC594-595, BFC596-597, BFC598-599, BFC600-601, BFC602-603, BFC604-605, BFC606-607, BFC608-609, BFC610-611, BFC612-613, BFC614-615, BFC616-617, BFC618-619, BFC620-621, BFC622-623, BFC624-625, BFC626-627, BFC628-629, BFC630-631, BFC632-633, BFC634-635, BFC636-637, BFC638-639, BFC640-641, BFC642-643, BFC644-645, BFC646-647, BFC648-649, BFC650-651, BFC652-653, BFC654-655, BFC656-657, BFC658-659, BFC660-661, BFC662-663, BFC664-665, BFC666-667, BFC668-669, BFC670-671, BFC672-673, BFC674-675, BFC676-677, BFC678-679, BFC680-681, BFC682-683, BFC684-685, BFC686-687, BFC688-689, BFC690-691, BFC692-693, BFC694-695, BFC696-697, BFC698-699, BFC700-701, BFC702-703, BFC704-705, BFC706-707, BFC708-709, BFC710-711, BFC712-713, BFC714-715, BFC716-717, BFC718-719, BFC720-721, BFC722-723, BFC724-725, BFC726-727, BFC728-729, BFC730-731, BFC732-733, BFC734-735, BFC736-737, BFC738-739, BFC740-741, BFC742-743, BFC744-745, BFC746-747, BFC748-749, BFC750-751, BFC752-753, BFC754-755, BFC756-757, BFC758-759, BFC760-761, BFC762-763, BFC764-765, BFC766-767, BFC768-769, BFC770-771, BFC772-773, BFC774-775, BFC776-777, BFC778-779, BFC780-781, BFC782-783, BFC784-785, BFC786-787, BFC788-789, BFC790-791, BFC792-793, BFC794-795, BFC796-797, BFC798-799, BFC800-801, BFC802-803, BFC804-805, BFC806-807, BFC808-809, BFC810-811, BFC812-813, BFC814-815, BFC816-817, BFC818-819, BFC820-821, BFC822-823, BFC824-825, BFC826-827, BFC828-829, BFC830-831, BFC832-833, BFC834-835, BFC836-837, BFC838-839, BFC840-841, BFC842-843, BFC844-845, BFC846-847, BFC848-849, BFC850-851, BFC852-853, BFC854-855, BFC856-857, BFC858-859, BFC860-861, BFC862-863, BFC864-865, BFC866-867, BFC868-869, BFC870-871, BFC872-873, BFC874-875, BFC876-877, BFC878-879, BFC880-881, BFC882-883, BFC884-885, BFC886-887, BFC888-889, BFC890-891, BFC892-893, BFC894-895, BFC896-897, BFC898-899, BFC900-901, BFC902-903, BFC904-905, BFC906-907, BFC908-909, BFC910-911, BFC912-913, BFC914-915, BFC916-917, BFC918-919, BFC920-921, BFC922-923, BFC924-925, BFC926-927, BFC928-929, BFC930-931, BFC932-933, BFC934-935, BFC936-937, BFC938-939, BFC940-941, BFC942-943, BFC944-945, BFC946-947, BFC948-949, BFC950-951, BFC952-953, BFC954-955, BFC956-957, BFC958-959, BFC960-961, BFC962-963, BFC964-965, BFC966-967, BFC968-969, BFC970-971, BFC972-973, BFC974-975, BFC976-977, BFC978-979, BFC980-981, BFC982-983, BFC984-985, BFC986-987, BFC988-989, BFC990-991, BFC992-993, BFC994-995, BFC996-997, BFC998-999, BFC1000-1001, BFC1002-1003, BFC1004-1005, BFC1006-1007, BFC1008-1009, BFC1010-1011, BFC1012-1013, BFC1014-1015, BFC1016-1017, BFC1018-1019, BFC1020-1021, BFC1022-1023, BFC1024-1025, BFC1026-1027, BFC1028-1029, BFC1030-1031, BFC1032-1033, BFC1034-1035, BFC1036-1037, BFC1038-1039, BFC1040-1041, BFC1042-1043, BFC1044-1045, BFC1046-1047, BFC1048-1049, BFC1050-1051, BFC1052-1053, BFC1054-1055, BFC1056-1057, BFC1058-1059, BFC1060-1061, BFC1062-1063, BFC1064-1065, BFC1066-1067, BFC1068-1069, BFC1070-1071, BFC1072-1073, BFC1074-1075, BFC1076-1077, BFC1078-1079, BFC1080-1081, BFC1082-1083, BFC1084-1085, BFC1086-1087, BFC1088-1089, BFC1090-1091, BFC1092-1093, BFC1094-1095, BFC1096-1097, BFC1098-1099, BFC1100-1101, BFC1102-1103, BFC1104-1105, BFC1106-1107, BFC1108-1109, BFC1110-1111, BFC1112-1113, BFC1114-1115, BFC1116-1117, BFC1118-1119, BFC1120-1121, BFC1122-1123, BFC1124-1125, BFC1126-1127, BFC1128-1129, BFC1130-1131, BFC1132-1133, BFC1134-1135, BFC1136-1137, BFC1138-1139, BFC1140-1141, BFC1142-1143, BFC1144-1145, BFC1146-1147, BFC1148-1149, BFC1150-1151, BFC1152-1153, BFC1154-1155, BFC1156-1157, BFC1158-1159, BFC1160-1161, BFC1162-1163, BFC1164-1165, BFC1166-1167, BFC1168-1169, BFC1170-1171, BFC1172-1173, BFC1174-1175, BFC1176-1177, BFC1178-1179, BFC1180-1181, BFC1182-1183, BFC1184-1185, BFC1186-1187, BFC1188-1189, BFC1190-1191, BFC1192-1193, BFC1194-1195, BFC1196-1197, BFC1198-1199, BFC1200-1201, BFC1202-1203, BFC1204-1205, BFC1206-1207, BFC1208-1209, BFC1210-1211, BFC1212-1213, BFC1214-1215, BFC1216-1217, BFC1218-1219, BFC1220-1221, BFC1222-1223, BFC1224-1225, BFC1226-1227, BFC1228-1229, BFC1230-1231, BFC1232-1233, BFC1234-1235, BFC1236-1237, BFC1238-1239, BFC1240-1241, BFC1242-1243, BFC1244-1245, BFC1246-1247, BFC1248-1249, BFC1250-1251, BFC1252-1253, BFC1254-1255, BFC1256-1257, BFC1258-1259, BFC1260-1261, BFC1262-1263, BFC1264-1265, BFC1266-1267, BFC1268-1269, BFC1270-1271, BFC1272-1273, BFC1274-1275, BFC1276-1277, BFC1278-1279, BFC1280-1281, BFC1282-1283, BFC1284-1285, BFC1286-1287, BFC1288-1289, BFC1290-1291, BFC1292-1293, BFC1294-1295, BFC1296-1297, BFC1298-1299, BFC1300-1301, BFC1302-1303, BFC1304-1305, BFC1306-1307, BFC1308-1309, BFC1310-1311, BFC1312-1313, BFC1314-1315, BFC1316-1317, BFC1318-1319, BFC1320-1321, BFC1322-1323, BFC1324-1325, BFC1326-1327, BFC1328-1329, BFC1330-1331, BFC1332-1333, BFC1334-1335, BFC1336-1337, BFC1338-1339, BFC1340-1341, BFC1342-1343, BFC1344-1345, BFC1346-1347, BFC1348-1349, BFC1350-1351, BFC1352-1353, BFC1354-1355, BFC1356-1357, BFC1358-1359, BFC1360-1361, BFC1362-1363, BFC1364-1365, BFC1366-1367, BFC1368-1369, BFC1370-1371, BFC1372-1373, BFC1374-1375, BFC1376-1377, BFC1378-1379, BFC1380-1381, BFC1382-1383, BFC1384-1385, BFC1386-1387, BFC1388-1389, BFC1390-1391, BFC1392-1393, BFC1394-1395, BFC1396-1397, BFC1398-1399, BFC1400-1401, BFC1402-1403, BFC1404-1405, BFC1406-1407, BFC1408-1409, BFC1410-1411, BFC1412-1413, BFC1414-1415, BFC1416-1417, BFC1418-1419, BFC1420-1421, BFC1422-1423, BFC1424-1425, BFC1426-1427, BFC1428-1429, BFC1430-1431, BFC1432-1433, BFC1434-1435, BFC1436-1437, BFC1438-1439, BFC1440-1441, BFC1442-1443, BFC1444-1445, BFC1446-1447, BFC1448-1449, BFC1450-1451, BFC1452-1453, BFC1454-1455, BFC1456-1457, BFC1458-1459, BFC1460-1461, BFC1462-1463, BFC1464-1465, BFC1466-1467, BFC1468-1469, BFC1470-1471, BFC1472-1473, BFC1474-1475, BFC1476-1477, BFC1478-1479, BFC1480-1481, BFC1482-1483, BFC1484-1485, BFC1486-1487, BFC1488-1489, BFC1490-1491, BFC1492-1493, BFC1494-1495, BFC1496-1497, BFC1498-1499, BFC1500-1501, BFC1502-1503, BFC1504-1505, BFC1506-1507, BFC1508-1509, BFC1510-1511, BFC1512-1513, BFC1514-1515, BFC1516-1517, BFC1518-1519, BFC1520-1521, BFC1522-1523, BFC1524-1525, BFC1526-1527, BFC1528-1529, BFC1530-1531, BFC1532-1533, BFC1534-1535, BFC1536-1537, BFC1538-1539, BFC1540-1541, BFC1542-1543, BFC1544-1545, BFC1546-1547, BFC1548-1549, BFC1550-1551, BFC1552-1553, BFC1554-1555, BFC1556-1557, BFC1558-1559, BFC1560-1561, BFC1562-1563, BFC1564-1565, BFC1566-1567, BFC1568-1569, BFC1570-1571, BFC1572-1573, BFC1574-1575, BFC1576-1577, BFC1578-1579, BFC1580-1581, BFC1582-1583, BFC1584-1585, BFC1586-1587, BFC1588-1589, BFC1590-1591, BFC1592-1593, BFC1594-1595, BFC1596-1597, BFC1598-1599, BFC1600-1601, BFC1602-1603, BFC1604-1605, BFC1606-1607, BFC1608-1609, BFC1610-1611, BFC1612-1613, BFC1614-1615, BFC1616-1617, BFC1618-1619, BFC1620-1621, BFC1622-1623, BFC1624-1625, BFC1626-1627, BFC1628-1629, BFC1630-1631, BFC1632-1633, BFC1634-1635, BFC1636-1637, BFC1638-1639, BFC1640-1641, BFC1642-1643, BFC1644-1645, BFC1646-1647, BFC1648-1649, BFC1650-1651, BFC1652-1653, BFC1654-1655, BFC1656-1657, BFC1658-1659, BFC1660-1661, BFC1662-1663, BFC1664-1665, BFC1666-1667, BFC1668-1669, BFC1670-1671, BFC1672-1673, BFC1674-1675, BFC1676-1677, BFC1678-1679, BFC1680-1681, BFC1682-1683, BFC1684-1685, BFC1686-1687, BFC1688-1689, BFC1690-1691, BFC1692-1693, BFC1694-1695, BFC1696-1697, BFC1698-1699, BFC1700-1701, BFC1702-1703, BFC1704-1705, BFC1706-1707, BFC1708-1709, BFC1710-1711, BFC1712-1713, BFC1714-1715, BFC1716-1717, BFC1718-1719, BFC1720-1721, BFC1722-1723, BFC1724-1725, BFC1726-1727, BFC1728-1729, BFC1730-1731, BFC1732-1733, BFC1734-1735, BFC1736-1737, BFC1738-1739, BFC1740-1741, BFC1742-1743, BFC1744-1745, BFC1746-1747, BFC1748-1749, BFC1750-1751, BFC1752-1753, BFC1754-1755, BFC1756-1757, BFC1758-1759, BFC1760-1761, BFC1762-1763, BFC1764-1765, BFC1766-1767, BFC1768-1769, BFC1770-1771, BFC1772-1773, BFC1774-1775, BFC1776-1777, BFC1778-1779, BFC1780-1781, BFC1782-1783, BFC1784-1785, BFC1786-1787, BFC1788-1789, BFC1790-1791, BFC1792-1793, BFC1794-1795, BFC1796-1797, BFC1798-1799, BFC1800-1801, BFC1802-1803, BFC1804-1805, BFC1806-1807, BFC1808-1809, BFC1810-1811, BFC1812-1813, BFC1814-1815, BFC1816-1817, BFC1818-1819, BFC1820-1821, BFC1822-1823, BFC1824-1825, BFC1826-1827, BFC1828-1829, BFC1830-1831, BFC1832-1833, BFC1834-1835, BFC1836-1837, BFC1838-1839, BFC1840-1841, BFC1842-1843, BFC1844-1845, BFC1846-1847, BFC1848-1849, BFC1850-1851, BFC1852-1853, BFC1854-1855, BFC1856-1857, BFC1858-1859, BFC1860-1861, BFC1862-1863, BFC1864-1865, BFC1866-1867, BFC1868-1869, BFC1870-1