



expanding experiences



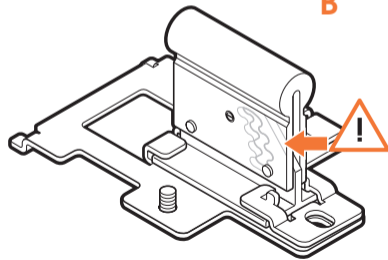
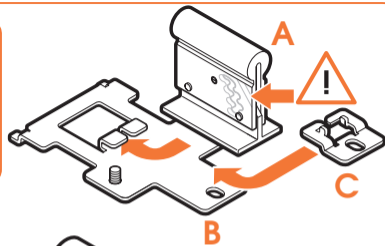
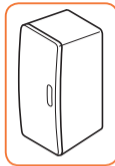
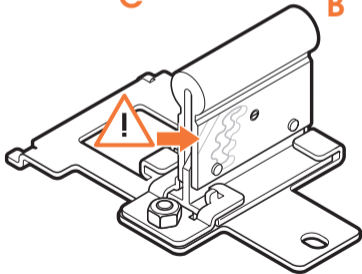
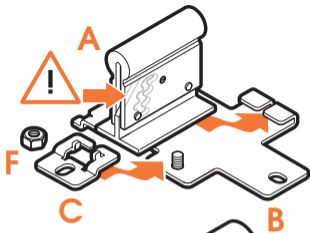
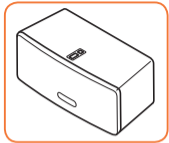
## SOUND 4203

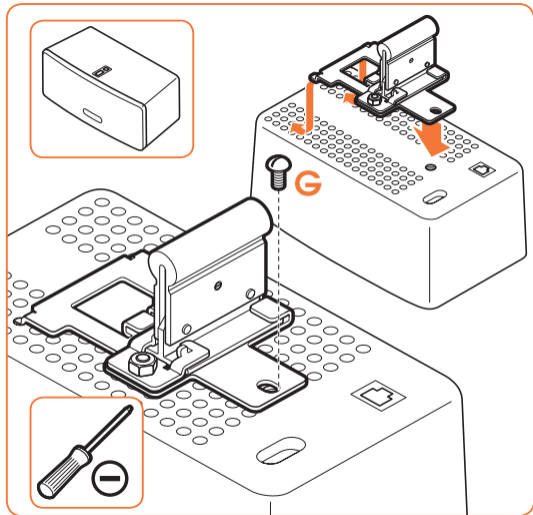
Fits SONOS PLAY:3 (Max. weight load = 5 kg)

Scan the QR-code to find the  
installation movie on YouTube:

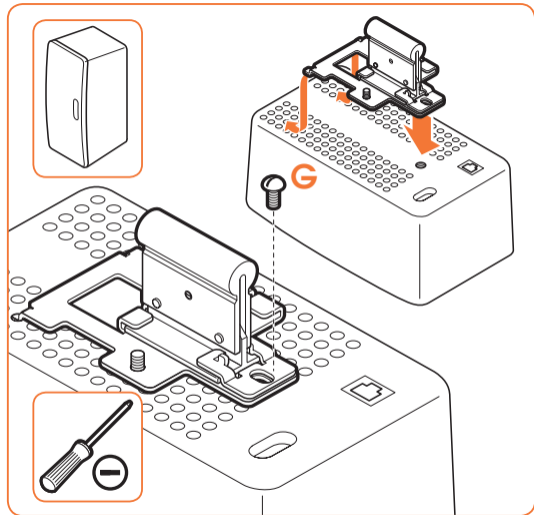


More information on: [www.vogels.com](http://www.vogels.com)

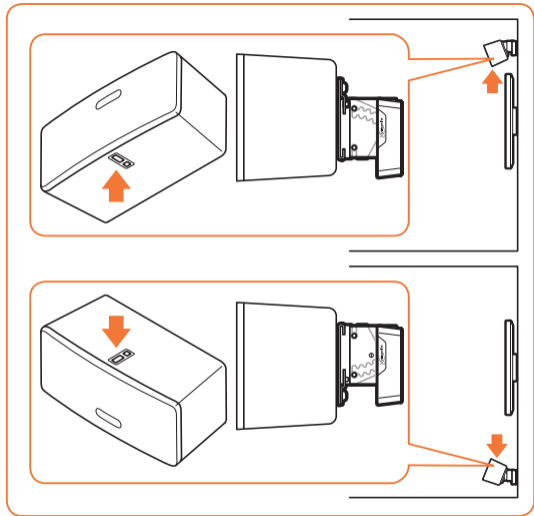




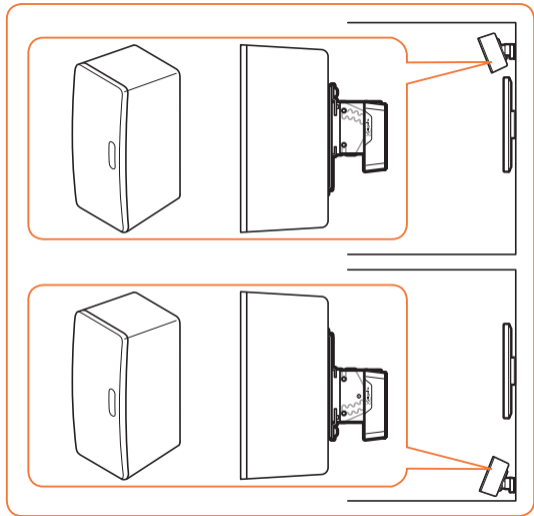
4



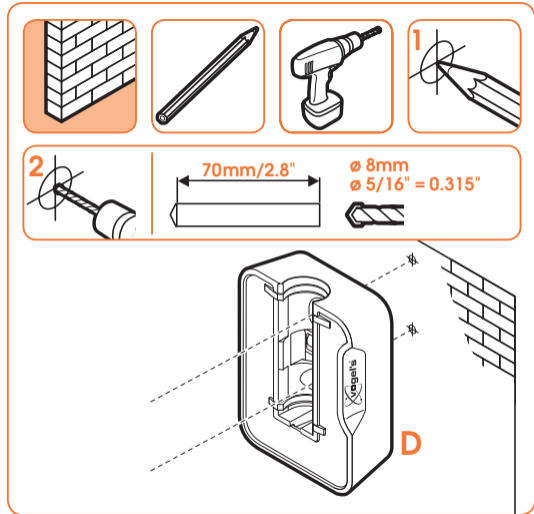
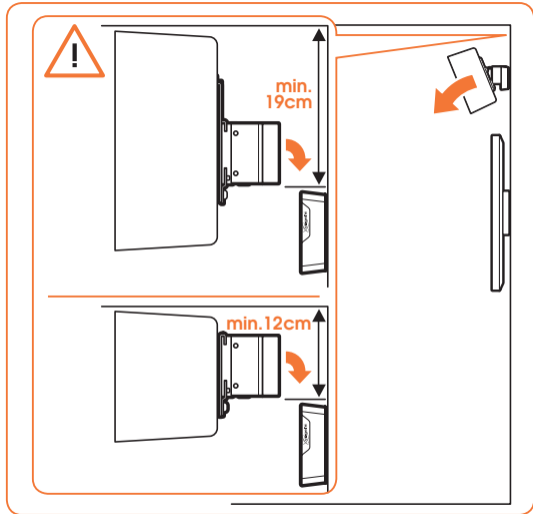
5

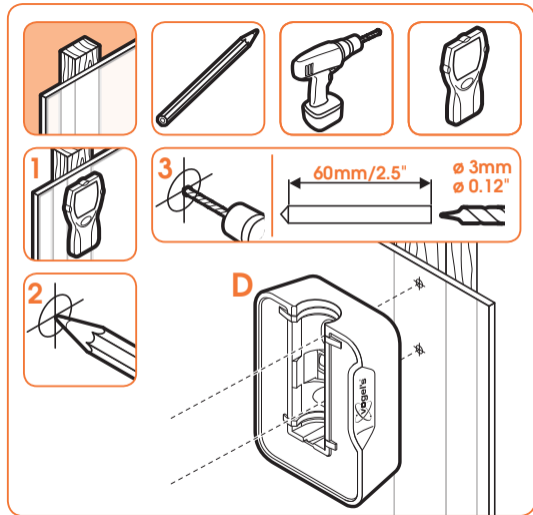
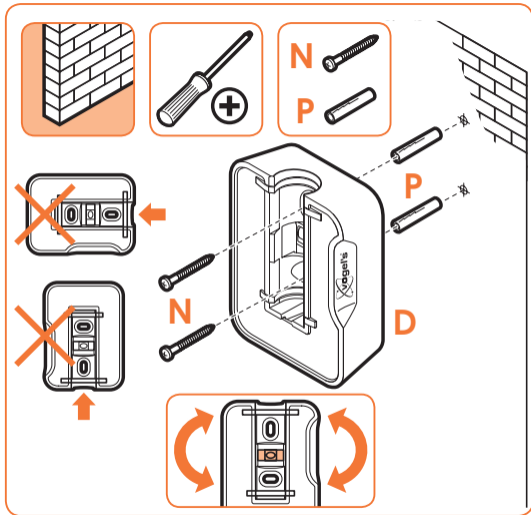


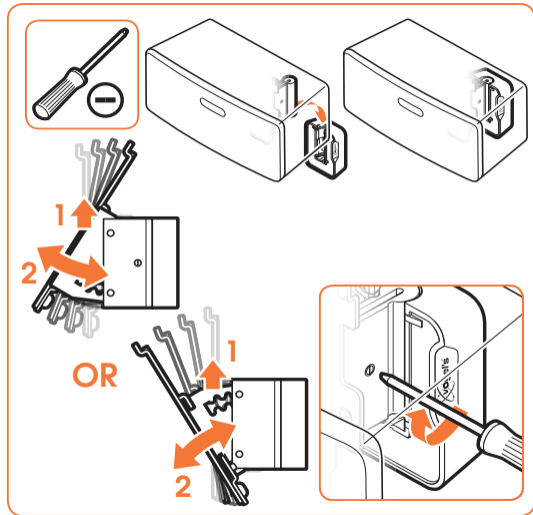
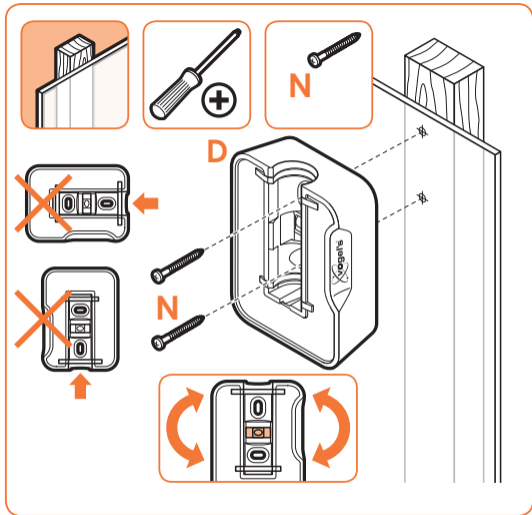
6

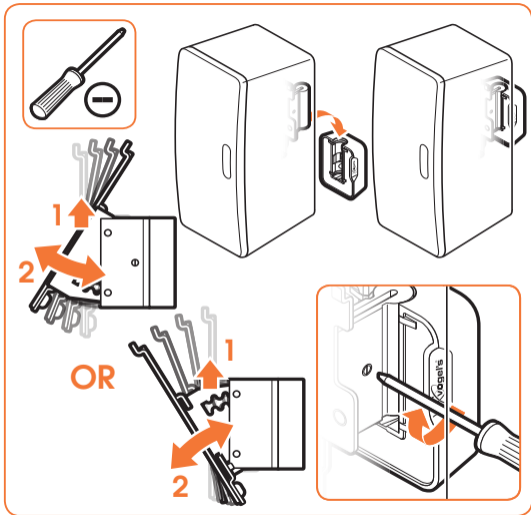


7













| expanding experiences

**[www.vogels.com](http://www.vogels.com)**

Vogel's Holding BV 2015 © All rights reserved

2015v01