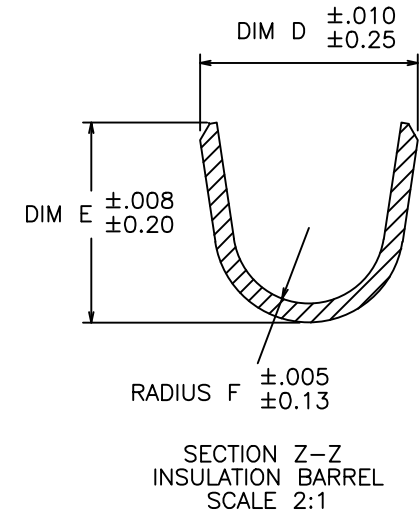
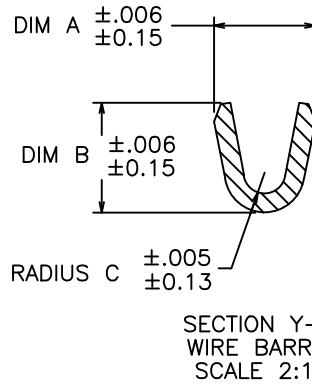
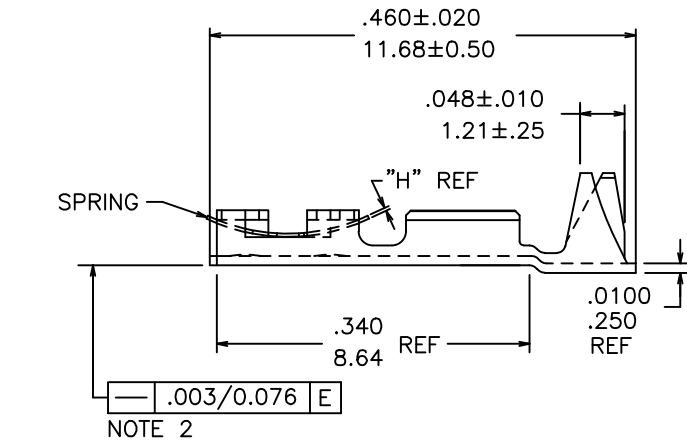
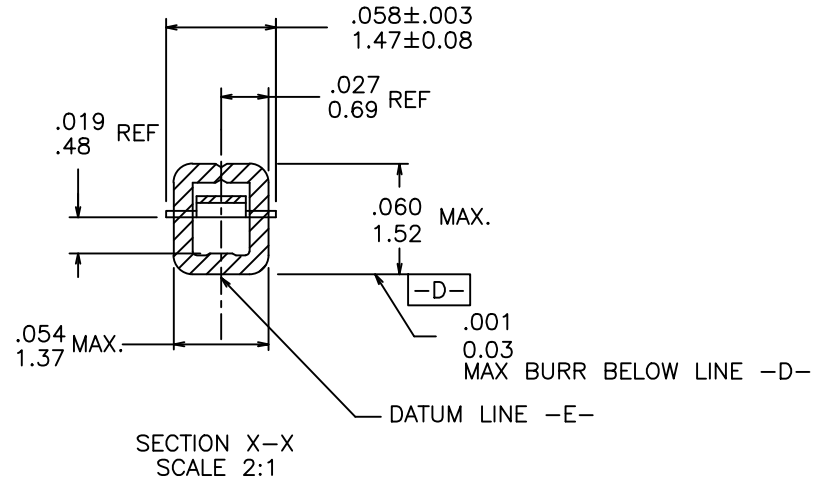
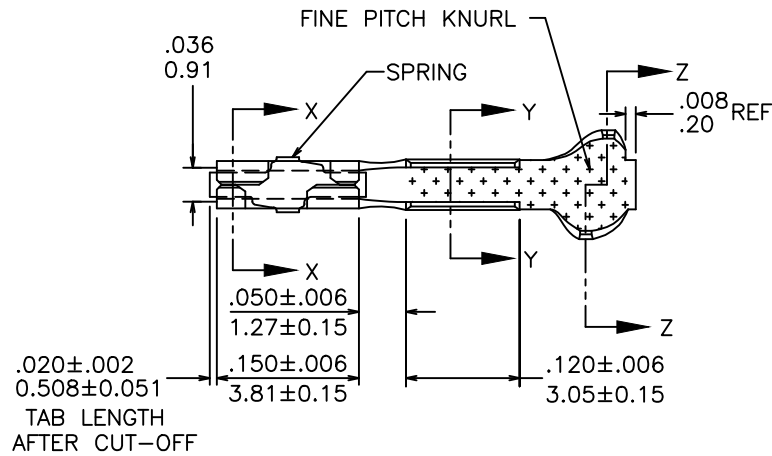


PRODUCT NUMBER

SEE SHEET 3



NOTE 2
 — .003/0.076 E

mat'l. code SEE TABLE				surface <input checked="" type="checkbox"/> tolerance		projection <input checked="" type="checkbox"/>		product family PV TERMINALS	
ltr	ecn no	dr	date	tolerances unless otherwise specified		INCH/MM		title	
AN	V12-0006	HTB	12.01.05	linear	.XX±.01/.X±.3	SCALE 5:1		MINI PV™ RECEPTACLE CRIMP TO WIRE	
AP	F-21694	AMA	15.08.18	linear	.XXX±.005/.XX±.13			dwg no	
				dr	A.MAISIERES	15.07.16	sheet 1 of 5		size
				engr	L.MULIN	15.07.16	47212		A3
				chr			type		Product Customer Drawing
				appd	L.MULIN	15.07.16			
sheet index	revision sheet	AP 1	AP 2	AP 3	AP 4	AP 5			

PRODUCT NUMBER
SEE SHEET 3

AWG RANGE	WIRE BARREL			INSULATION BARREL				RECOMMENDED HANDTOOL FOR LOOSE PIECE APPLICATION
	DIM A	DIM B	RADIUS C	INSULATION DIAMETER RANGE	DIM D	DIM E	RADIUS F	
18-20	.104/2.64	.104/2.64	.021/.53	.042/1.07-.103/2.62	.139/3.53	.120/3.05	.050/1.27	HT-0073
22-26	.070/1.78	.070/1.78	.017/.43	.036/.91-.103/2.62	.139/3.53	.120/3.05	.050/1.27	HT-0095
28-32	.054/1.37	.058/1.47	.011/.28	.028/.71-.054/1.37	.115/2.92	.105/2.67	.040/1.02	

NOTES:

1. TERMINAL MATES WITH .025±.002/0.64±0.05 SQUARE OR ROUND PIN.
- ② WHEN MEASURED ALONG DATUM -E- WITHIN .340/8.64 REF DIM.
3. PRODUCT SPECIFICATION: BUS-12-067.
APPLICATION SPECIFICATIONS:
TA-75: TERMINAL DATA FOR USE WITH MINI LATCH HOUSING.
TA-146: TERMINAL DATA FOR CONTACTS NOT USED IN HOUSINGS.
TA-210: TERMINAL DATA FOR CONTACTS USED WITH MINI ROD HOUSINGS.
TA-228: APPLICATIONS USING 20 AWG WIRE.
TA-531: INSTALLING AND REMOVING TERMINALS.
- ④ PRODUCT MEETS EUROPEAN UNION DIRECTIVES AND OTHER COUNTRY REGULATIONS AS DESCRIBED IN GS-22-008.
5. THIS PRODUCT IS NOT INTENDED TO BE EXPOSED TO MANUFACTURING SOLDERING PROCESSES.
- ⑥ THIS PRODUCT HAS 100% TIN PLATING IN THE INTERFACE AND HAS NOT BEEN TESTED FOR WHISKER GROWTH IN ALL INTERCONNECT ENVIRONMENTS.
- ⑦ CONTACT SIDE OF TERMINAL WILL HAVE 50μ"/1.27μm NICKEL UNDERPLATE OVERALL WITH GOLD FLASH REQUIRED INSIDE CONTACT BOX AND WIRE BARREL ONLY. BACKSIDE OF TERMINALS TO BE PLATED WITH 30μ"/0.76μm NICKEL ONLY.



mat'l. code		surface		tolerance		projection		product family	
SEE TABLE		✓		✓		INCH/MM		PV TERMINALS	
ltr	ecn no	dr	date	tolerances unless otherwise specified		INCH/MM		title	
AN	V12-0006	HTB	12.01.05	angles	.XX±.01/.X±.3	INCH/MM		MINI PV™ RECEPTACLE	
AP	F-21694	AMA	15.08.18	linear	.XXX±.005/.XX±.13	scale 1:1		CRIMP TO WIRE	
				dr	A.MAISIERES	15.07.16	FCI		dwg no
				engn	L.MULIN	15.07.16			sheet 2 of 5
				chr					47212
				app	L.MULIN	15.07.16			A3
sheet index	revision sheet						type		Product Customer Drawing

MATERIAL & PLATING		SPRING THICKNESS DIM H±.0005/0.012	AWG RANGE	REELED NOTE 4	LOOSE NOTE 4	PLATING AVAILABILITY					
1/4 HARD BRASS BODY	Be/Cu SPRING					-000	-000LF	-001	-001LF	-002	-002LF
CONTACT AREA UNDERPLATING: 50μ"/1.27μ Ni CONTACT AREA: 15μ"/0.38μ Au INSIDE BOX AREA: -000LF Au FLASH -001LF 15μ"/0.38μ Au -002LF 6μ"/0.15μ Au REMAINDER: -000LF SEE NOTE 7 -001LF 15μ"/0.38μ Au -002LF Au FLASH	Au FLASH	.0035/0.089	18-20	48241	48250	NO	YES	NO	NO	NO	NO
			22-26	48242	48251	NO	YES	NO	NO	NO	NO
			28-32	48243	48252	NO	YES	NO	NO	NO	NO
		.0048/0.122	18-20	48244	48253	NO	YES	NO	NO	NO	NO
			22-26	48245	48254	NO	YES	NO	NO	NO	NO
			28-32	48246	48255	NO	YES	NO	NO	NO	NO
		.0065/0.165	18-20	48247	48256	NO	YES	NO	NO	NO	NO
			22-26	48248	48257	NO	YES	NO	NO	NO	NO
			28-32	48249	48258	NO	YES	NO	NO	NO	NO
CONTACT AREA UNDERPLATING: 50μ"/1.27μ Ni CONTACT AREA: 30μ"/0.76μ Au INSIDE BOX AREA: -000LF Au FLASH -001LF 30μ"/0.76μ Au -002LF 8μ"/0.2μ Au REMAINDER: -000LF SEE NOTE 7 -001LF 30μ"/0.76μ Au -002LF Au FLASH	Au FLASH	.0035/0.089	18-20	48231	48266	NO	YES	NO	NO	NO	NO
			22-26	48049	48235	NO	YES	NO	NO	NO	YES
			28-32	48048	48238	NO	YES	NO	NO	NO	YES
		.0048/0.122	18-20	48047	48232	NO	YES	NO	NO	NO	YES
			22-26	48046	48234	NO	YES	NO	NO	NO	YES
			28-32	48045	48237	NO	YES	NO	NO	NO	YES
		.0065/0.165	18-20	48052	48233	NO	YES	NO	NO	NO	YES*
			22-26	48051	48236	NO	YES	NO	NO	NO	YES
			28-32	48050	48239	NO	YES	NO	NO	NO	YES

* LOOSE PIECE NOT AVAILABLE

mat'l. code		surface		tolerance		projection		product family			
SEE TABLE		✓		✓				PV TERMINALS			
ltr	ecn no	dr	date	tolerances unless otherwise specified				title			
AN	V12-0006	HTB	12.01.05	angles	.XX±.01/.X±.3	INCH/MM		MINI PV™ RECEPTACLE			
AP	F-21694	AMA	15.08.18	linear	.XXX±.005/.XX±.13	Scale 1:1		CRIMP TO WIRE			
					.XXX±.0020/.XXX±.13			dwg no			
				dr	A.MAISIERES	15.07.16			sheet 3 of 5 size		
				engn	L.MULIN	15.07.16			47212		A3
				chr	L.MULIN	15.07.16			type Product Customer Drawing		
sheet index	revision	sheet									

MATERIAL & PLATING		SPRING THICKNESS DIM H±.0005/0.012	AWG RANGE	REELED NOTE 4	LOOSE NOTE 4	PLATING AVAILABILITY					
1/4 HARD BRASS BODY	Be/Cu SPRING					-000	-000LF	-001	-001LF	-002	-002LF
CONTACT AREA UNDERPLATING: 50µ"/1.27µ Ni CONTACT AREA: 40µ"/1.02µ Au INSIDE BOX AREA: -000LF Au FLASH -001LF 8µ"/0.2µ Au -002LF 8µ"/0.2µ Au REMAINDER: -000LF SEE NOTE 7 -001LF 8µ"/0.2µ Au -002LF Au FLASH	Au FLASH	.0035/0.089	18-20	48276	N/A	NO	NO	NO	NO	NO	YES
			22-26	47457	47743	NO	YES	NO	YES	NO	YES
			28-32	47456	47742	NO	YES	NO	YES	NO	YES
		.0048/0.122	18-20	47441	47713	NO	YES	NO	YES	NO	YES
			22-26	47439	47712	NO	YES	NO	YES	NO	YES
			28-32	47437	47711	NO	YES	NO	YES	NO	YES
		.0065/0.165	18-20	47566	47746	NO	YES	NO	YES	NO	YES
			22-26	47565	47745	NO	YES	NO	YES	NO	YES
			28-32	47564	47744	NO	YES	NO	YES	NO	YES

D I S C O N T I N U E D

48191 48194

D I S C O N T I N U E D

48192 48195

D I S C O N T I N U E D

48193 48196

CONTACT AREA UNDERPLATING: 50µ"/1.27µ Ni CONTACT AREA: 75µ"/1.91µ Au INSIDE BOX AREA: -000LF Au FLASH -001LF 75µ"/1.91µ Au -002LF 30µ"/0.76µ Au REMAINDER: -000LF SEE NOTE 7 -001LF 75µ"/1.91µ Au -002LF 15µ"/0.38µ Au	Au FLASH	.0035/0.089	18-20	47785	48014	NO	YES	NO	NO	NO	NO
		.0048/0.122	22-26	47216	47706	NO	YES	NO	NO	NO	NO
			28-32	47212	47705	NO	YES	NO	NO	NO	NO

mat'l. code		surface		tolerance		projection		product family			
SEE TABLE								PV TERMINALS			
ltr	ecn no	dr	date	tolerances unless otherwise specified				file			
AN	V12-0006	HTB	12.01.05	angles	.XX±.01/.X±.3	INCH/MM		MINI PV™ RECEPTACLE			
AP	F-21694	AMA	15.08.18	linear	.XXX±.005/.XX±.13	Scale 1:1		CRIMP TO WIRE			
				dr	A.MAISIERES	15.07.15		dwg no		sheet 4 of 5 size	
				engr	L.MULIN	15.07.15		47212		A3	
				chr				FCJ			
				app	L.MULIN	15.07.15		type		Product Customer Drawing	
sheet	revision										
index	sheet										

MATERIAL & PLATING		SPRING THICKNESS DIM H±.0005/0.012	AWG RANGE	REELED NOTE 4	LOOSE NOTE 4	PLATING AVAILABILITY					
1/4 HARD BRASS BODY	Be/Cu SPRING					-000	-000LF	-001	-001LF	-002	-002LF
PRE-PLATED: -000LF 100-160μ 2.54-4.06μ Sn (LEAD-FREE) NOTE 6	Sn PLATED	.0035/0.089	22-26	47445	47747	NO	YES	NO	NO	NO	NO
			28-32	47446	47748	NO	YES	NO	NO	NO	NO
		.0048/0.122	18-20	47221	47716	NO	YES	NO	NO	NO	NO
			22-26	47217	47715	NO	YES	NO	NO	NO	NO
			28-32	47213	47714	NO	YES	NO	NO	NO	NO
		.0065/0.165	18-20	47648	47749	NO	YES	NO	NO	NO	NO
			22-26	47649	47750	NO	YES	NO	NO	NO	NO
			28-32	47650	47751	NO	YES	NO	NO	NO	NO



FCIconnect.com

Copyright FCI

mat'l. code SEE TABLE				surface <input checked="" type="checkbox"/> tolerance		projection		product family PV TERMINALS	
ltr	ecn no	dr	date	tolerances unless otherwise specified				title	
AN	V12-0006	HTB	12.01.05	angles	.XX±.01/.X±.3	INCH/MM		MINI PV™ RECEPTACLE CRIMP TO WIRE	
AP	F-21694	AMA	15.08.18	linear	.XXX±.005/.XX±.13	scale 1:1		dwg no	
				dr	A.MAISIERES	15.07.15		sheet 5 of 5 size	
				engr	L.MULIN	15.07.15		47212	
				chr				A3	
				app	L.MULIN	15.07.15		type Product Customer Drawing	
sheet index	revision sheet								

