

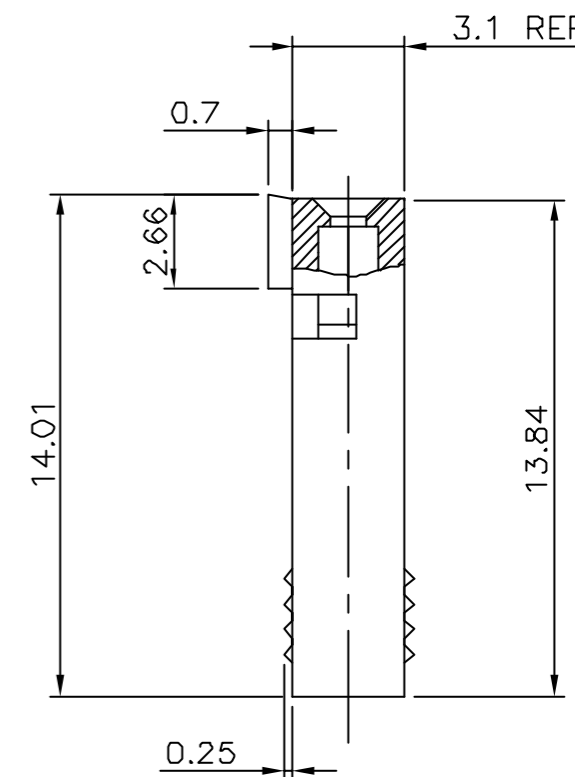
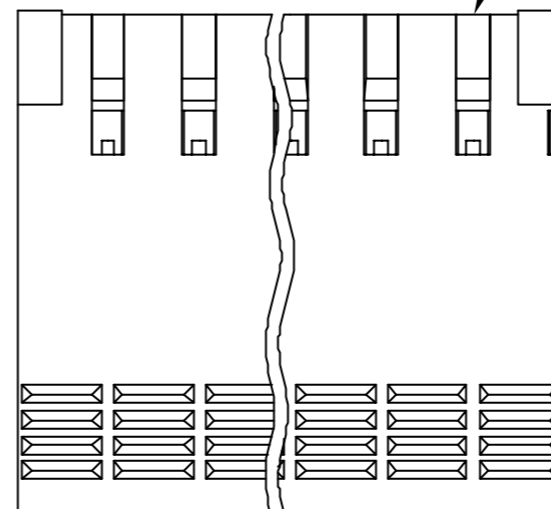
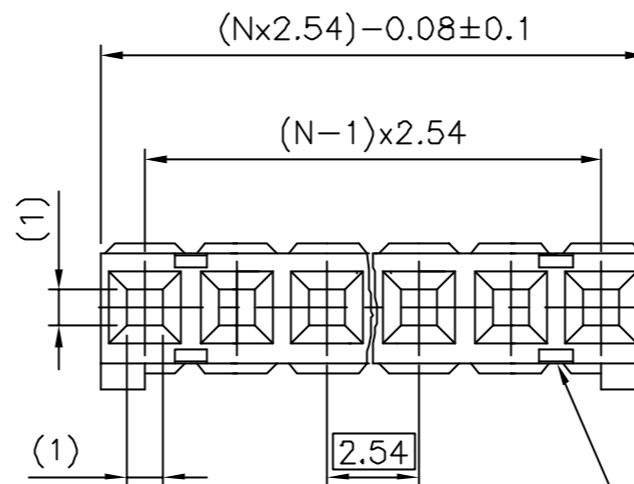
PRODUCT NUMBER

65240-0XXLF

WHEN NEEDED, SUFFIX LETTER "LF" INDICATES THE PRODUCT IS RoHS COMPLIANT, SEE NOTE 6

NUMBER OF CAVITIES PER ROW: 02 TO 36.

PLASTIC MATERIAL.



NOTES:

- 1 - HOUSING MAT'L: THERMOPLASTIC GLASS FILLED FLAME RETARDANT PER UL 94 V-0 COLOR: BLUE.
- 2 - OVER DASH -007 ONLY FIRST AND LAST THREE POSITIONS MUST HAVE GROOVES ON TWO SIDES.
- 3 - PRODUCT PACKED IN PLASTIC BAG.
- 4 - TO DETERMINE DIMENSIONS:  
N = NUMBER OF POSITIONS  
EXAMPLE: 8 POS:  $(N \times 2.54) - 0.08 = 20.24$  mm.
- 5 - FOR TECHNICAL APPLICATION SEE TA317.
- 6 - RoHS COMPATIBLE PRODUCT SPECIFICATIONS

a - LABELING:

- MEETS PACKAGING SPECS AS PER GS-14-920

b - LEGAL STATEMENT: SEE GS-22-008

THE PRODUCT IS NOT INTENDED TO BE EXPOSED TO A MANUFACTURING SOLDER PROCESS.

mat'l. code SEE NOTE		surface ISO 1302 ✓		tolerance ISO 406 ISO		projection 101		product family DUBOX	
ltr		ecn no		dr		date		title	
P	F06-0146	DLE	06.03.10	tolerances unless otherwise specified		mm		CtW HOUSING SR	
R	F06-0225	DLE	06.07.07	angles	linear	±0.3		dwg no	
S	F07-0168	PNZ	07.04.02	±2°		scale 5:1		sheet 1 of 1	
L	F05-0169	DLE	05.04.07	dr	G CORBOZ	01.01.05		size	
M	F05-0236	DLE	05.08.24	enr	P NIZZI	01.01.05		A3	
N	F05-0286	DLE	05.11.07	chr	JF NOTTEAU	01.01.05		type	
sheet index		revision sheet		app		P NZ		CUSTOMER Drawing	