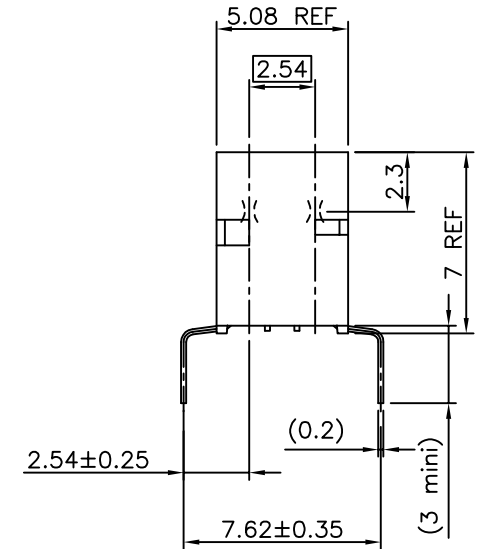
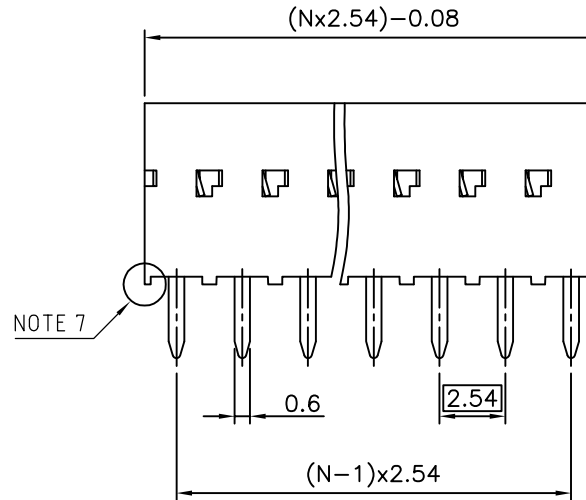
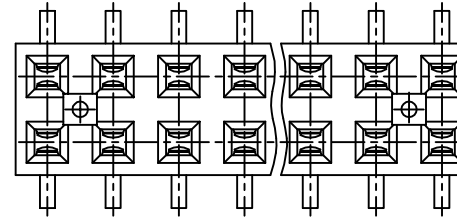


PRODUCT NUMBER
71991-YXXXLF

- RoHS COMPATIBLE, SEE NOTE 6.
- OPTIONAL LETTER
- H: HIGH TEMPERATURE PRODUCT.
- NUMBER OF POSITIONS PER ROW: 02 TO 50.
- PLATING CODE
- 3= 0.76µm GOLD ON CONTACT AREA.
2µm MIN MATTE TIN ON TAIL.
- 4= 2µm MIN MATTE TIN FULL PLATED
- 8= 0.38µm GOLD ON CONTACT AREA.
2µm MIN MATTE TIN ON TAIL.
- 1.27µm Ni MIN UNDERPLATING



NOTES:

- 1 - HOUSING MAT'L: THERMOPLASTIC GLASS FILLED FLAME RETARDANT PER UL 94 V-0
LOW TEMPERATURE: COLOR BLUE
HIGH TEMPERATURE: COLOR GREY.
- 2 - TERMINAL MATERIAL: PHOSPHOR BRONZE.
- 3 - 2 UP TO 50 POSITIONS PRODUCT PACKED IN TUBE.
- 4 - TO DETERMINE DIMENSIONS:
N = NUMBER OF POSITIONS PER ROW
EXAMPLE: 8 POS: (N×2.54)-0.08=20.24 mm
- 5 - RECOMMENDED IR PROFIL PER TA 842.
- 6 - RoHS COMPATIBLE PRODUCT SPECIFICATIONS

a - PLATING:

- "LF" MEANS THE PRODUCT IS LEAD-FREE, 2µm MINIMUM MATTE TIN OVER 1.27µm MINIMUM NICKEL UNDERPLATE.

b - MANUFACTURING PROCESS COMPATIBILITY

- THE HOUSING WILL WITHSTAND EXPOSURE TO 260°C ±5°C SOLDER BATH TEMPERATURE FOR 5 SECONDS IN A WAVE SOLDER APPLICATION WITH A 1.6mm MIN THICK CIRCUIT BOARD.

c - LABELING:

- MEETS PACKAGING SPECS AS PER GS-14-920

d - LEGAL STATEMENT: SEE GS-47-0004

- 7 - END STAND-OFFS FOR 2x2 UP TO 2x5 POS
NO END STAND-OFFS FOR 2x6 UP TO 2x50 POS

mat'l. code SEE NOTES				surface ISO 1302 <input checked="" type="checkbox"/> ISO 406 <input type="checkbox"/> ISO 1101 <input type="checkbox"/>		tolerance ISO 406 <input checked="" type="checkbox"/> ISO 1101 <input type="checkbox"/>		projection 		product family DUBOX		
ltr	ecn no	dr	date	tolerances unless otherwise specified		±0.3		mm		title BtB RECEPT. VERT DR TMT		
Y	B-19123	LMU	14.10.20	angles		linear		scale 5:1		dwg no 71991		
T	F06-0137	DLE	06.02.27	±2°						sheet 1 of 2		
U	F06-0204	DLE	06.06.20	dr	D LEGRAND	04.09.27				size A3		
V	F06-0323	DLE	06.11.21	enr	P NIZZI	04.09.27				type CUSTOMER Drawing		
W	F09-0011	LMU	09.02.16	chr	D LEGRAND	04.09.27						
X	F11-0043	JCO	12.02.22	appd	P NZ	04.09.27						
sheet	revision		Y	B								
index	sheet		1	2								

A

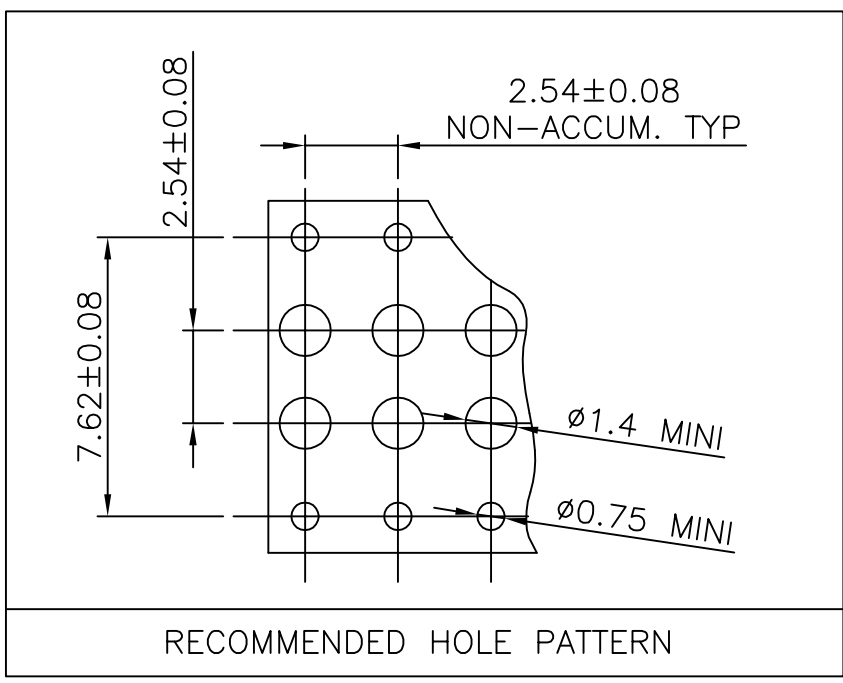
A

B

B

C

C



FCI
FCIconnect.com

Copyright FCI

mat'l. code SEE SHEET 1				surface ISO 1302 ✓		tolerance ISO 406 ISO 1101		projection 		product family DUBOX			
ltr	ecn no	dr	date	tolerances unless otherwise specified		angles		mm 		title BtB RECEPT. VERT DR TMT			
A	F04-0347	DLE	04.09.27	±0.3		linear		scale 5:1		dwg no		sheet 2 of 2	size
B	F06-0204	DLE	06.06.20	±2'						71991		A4	
				dr	D LEGRAND	04.09.27			type		CUSTOMER	Drawing	
				enr	P NIZZI	04.09.27							
				chr	D LE	04.09.27							
				appd	P NZ	04.09.27							
sheet index	revision sheet												

D

D