

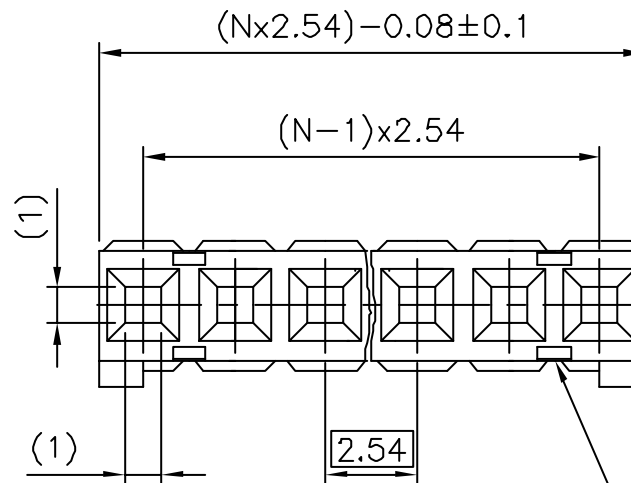
PRODUCT NUMBER

65240-0XXLF

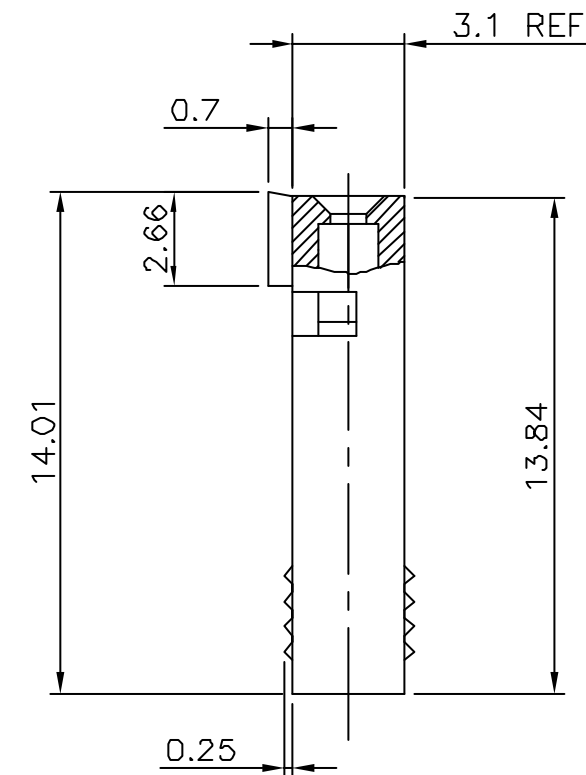
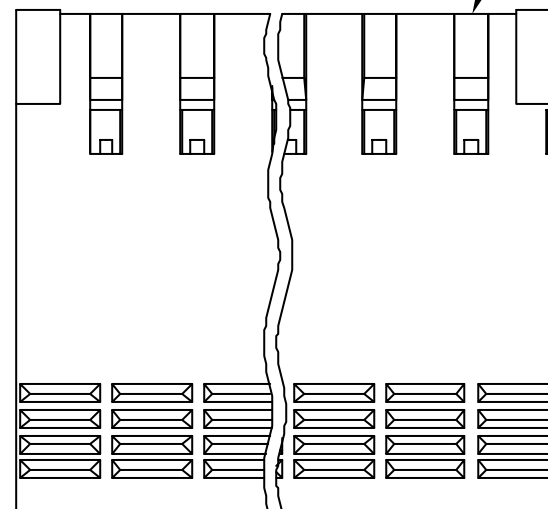
WHEN NEEDED, SUFFIX LETTER "LF" INDICATES THE PRODUCT IS RoHS COMPLIANT, SEE NOTE 6

NUMBER OF CAVITIES PER ROW: 02 TO 36.

PLASTIC MATERIAL.



SEE NOTE 2



NOTES:

- 1 - HOUSING MAT'L: THERMOPLASTIC GLASS FILLED FLAME RETARDANT PER UL 94 V-0 COLOR: BLUE.
- 2 - OVER DASH -007 ONLY FIRST AND LAST THREE POSITIONS MUST HAVE GROOVES ON TWO SIDES.
- 3 - PRODUCT PACKED IN PLASTIC BAG.
- 4 - TO DETERMINE DIMENSIONS:
N = NUMBER OF POSITIONS
EXAMPLE: 8 POS: $(N \times 2.54) - 0.08 = 20.24$ mm.
- 5 - FOR TECHNICAL APPLICATION SEE TA317.
- 6 - RoHS COMPATIBLE PRODUCT SPECIFICATIONS

a - LABELING:

- MEETS PACKAGING SPECS AS PER GS-14-920

b - LEGAL STATEMENT: SEE GS-22-008

THE PRODUCT IS NOT INTENDED TO BE EXPOSED TO A MANUFACTURING SOLDER PROCESS.

mat'l. code SEE NOTE		surface ISO 1302 ✓		tolerance ISO 406 ISO 101		projection mm		product family DUBOX	
Ltr	ec'n no	dr	date	tolerances unless otherwise specified		mm		title CtW HOUSING SR	
P	F06-0146	DLE	06.03.10	angles	linear	±0.3		scale 5:1	
R	F06-0225	DLE	06.07.07	±2°				dwg no 65240	
S	F07-0168	PNZ	07.04.02					sheet 1 of 1	
		dr	G CORBOZ	01.01.05		FCI		size A3	
L	F05-0169	DLE	05.04.07	engr	P NIZZI	01.01.05		type CUSTOMER Drawing	
M	F05-0236	DLE	05.08.24	chr	JF NOTTEAU	01.01.05			
N	F05-0286	DLE	05.11.07	appd	P NZ	01.01.05			
sheet index	revision sheet								