

PRODUCT NUMBER
76382-YXXLF

PLATING

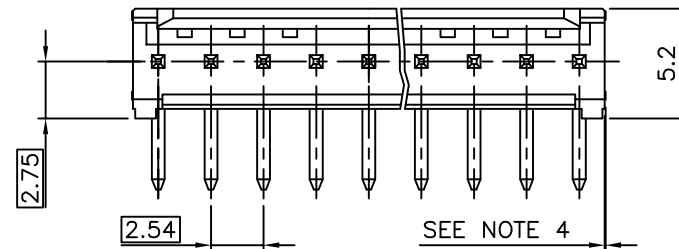
RoHS COMPATIBLE, SEE NOTE 7

NUMBER OF POSITIONS : 02 TO 36

3=0.76µm GOLD/GXT ON CONTACT AREA
2µm MIN MATTE TIN ON TAIL

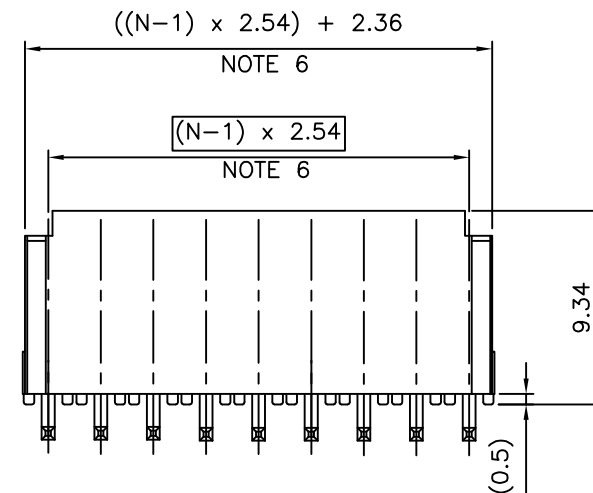
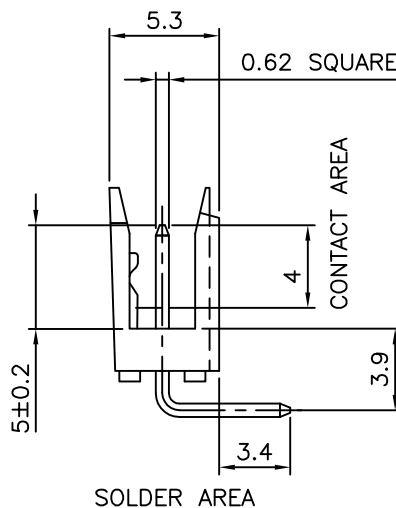
1.27µm Ni MIN UNDERPLATING

TOP VIEW

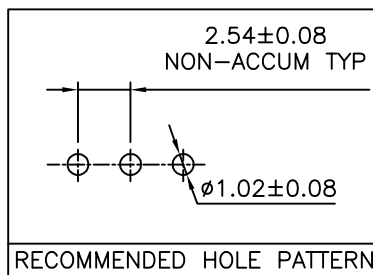


NOTES:

1. BODY MATERIAL: POLYESTER 30% GLASSFILLED COLOR BLUE, FLAME RETARDANT PER UL-94 V0.
2. CONTACT MATERIAL: PHOSPHOR BRONZE.
3. 15N MIN PIN RETENTION IN EITHER DIRECTION
4. 0.6 MAX PROTRUSION PERMITTED AT 4 PLACES
5. PACKAGING :
- POLYBAGS FROM 02 TO 06 POSITIONS
- TUBE FROM 07 TO 36 POSITIONS
6. TO DETERMINE DIMENSIONS :
N = NUMBER OF POSITIONS PER ROW
EXAMPLE : 8 POS N x 2.54 = 20.32mm
7. RoHS COMPATIBLE PRODUCT SPECIFICATIONS



- a - PLATING:
- "LF" MEANS THE PRODUCT IS LEAD-FREE,
2µm MINIMUM MATTE TIN OVER 1.27µm
MINIMUM NICKEL UNDERPLATE.
- b - MANUFACTURING PROCESS COMPATIBILITY
- THE HOUSING WILL WITHSTAND EXPOSURE TO
245°C ±5°C SOLDER BATH TEMPERATURE FOR
5 SECONDS IN A WAVE SOLDER APPLICATION
WITH A 1.6mm MIN THICK CIRCUIT BOARD.
- c - LABELING:
- MEETS PACKAGING SPECS AS PER GS-14-920
- d - LEGAL STATEMENT: SEE GS-47-0004



mat'l. code SEE NOTE				surface ISO 1302 ✓		tolerance ISO 406 ISO 1101		projection mm		product family DUBOX	
ltr	ecn no	dr	date	tolerances unless otherwise specified				title			
S	F-21810	AMA	15.06.19	angles	linear	.X ±0.3	.XX ±0.15	.XXX ±0.05	SHR. HEADER RA SR TMT		
L	F05-0117	LMU	05.01.27					scale 5:1			
M	F05-0244	JCO	05.09.06	dr	D.LE	01.01.24					
N	F06-0228	LMU	06.07.11	engr	JM.C	01.01.24					
P	F08-0147	YOV	08.04.14	chr	JM.C	01.01.24					
R	B-19285	AMA	14.11.03	app	JF.N	01.01.24					
sheet index	revision	sheet									



dwg no 76382
sheet 1 of 1 size A3
type CUSTOMER Drawing