

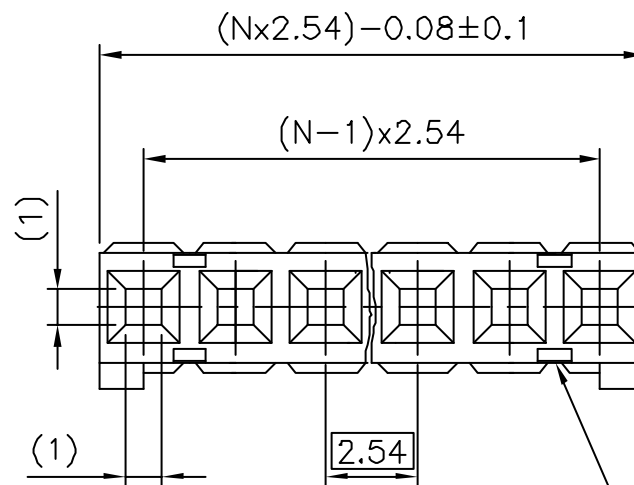
PRODUCT NUMBER

65240-0XXLF

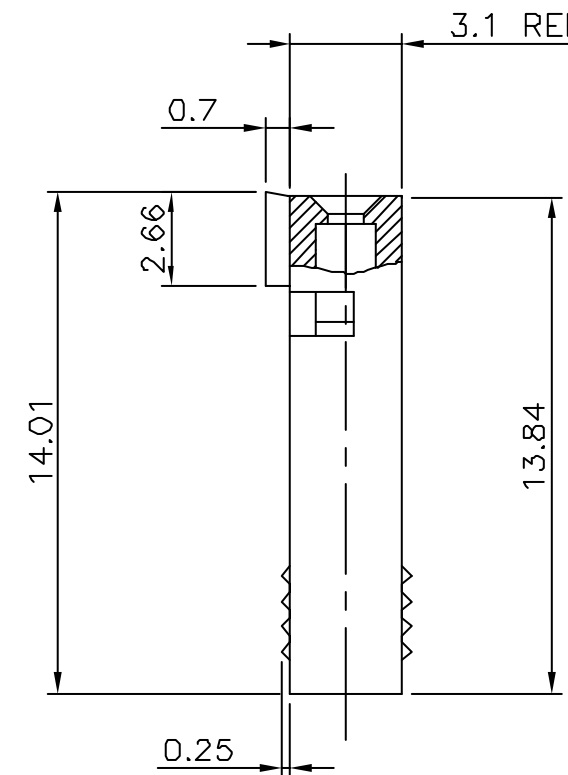
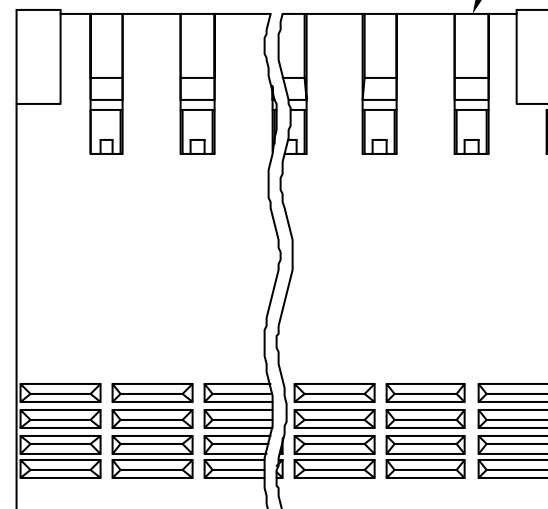
WHEN NEEDED, SUFFIX LETTER "LF"
INDICATES THE PRODUCT IS RoHS
COMPLIANT, SEE NOTE 6

NUMBER OF CAVITIES PER ROW: 02 TO 36.

PLASTIC MATERIAL.



SEE NOTE 2



NOTES:

- 1 - HOUSING MAT'L: THERMOPLASTIC GLASS FILLED FLAME RETARDANT PER UL 94 V-0 COLOR: BLUE.
- 2 - OVER DASH -007 ONLY FIRST AND LAST THREE POSITIONS MUST HAVE GROOVES ON TWO SIDES.
- 3 - PRODUCT PACKED IN PLASTIC BAG.
- 4 - TO DETERMINE DIMENSIONS:
N = NUMBER OF POSITIONS
EXAMPLE: 8 POS: $(N \times 2.54) - 0.08 = 20.24$ mm.
- 5 - FOR TECHNICAL APPLICATION SEE TA317.
- 6 - RoHS COMPATIBLE PRODUCT SPECIFICATIONS

a - LABELING:

- MEETS PACKAGING SPECS AS PER GS-14-920

b - LEGAL STATEMENT: SEE GS-22-008

THE PRODUCT IS NOT INTENDED TO BE EXPOSED TO A MANUFACTURING SOLDER PROCESS.

mat'l. code SEE NOTE		surface ISO 1302 ✓		tolerance ISO 406 ISO		projection 101		product family DUBOX	
ltr		ecn no		dr		date		title CtW HOUSING SR	
P	F06-0146	DLE	06.03.10	tolerances unless otherwise specified		mm		scale 5:1	
R	F06-0225	DLE	06.07.07	angles	linear	±0.3		dwg no	
S	F07-0168	PNZ	07.04.02	±2'		mm		sheet 1 of 1	
L		F05-0169		DLE		05.04.07		engr	
M		F05-0236		DLE		05.08.24		chr	
N		F05-0286		DLE		05.11.07		appd	
sheet index		revision sheet		G CORBOZ		01.01.05		P NIZZI	
				engr		01.01.05		JF NOTTEAU	
				chr		01.01.05		P NZ	
				appd		01.01.05		type	
								CUSTOMER Drawing	
								65240	
								A3	