

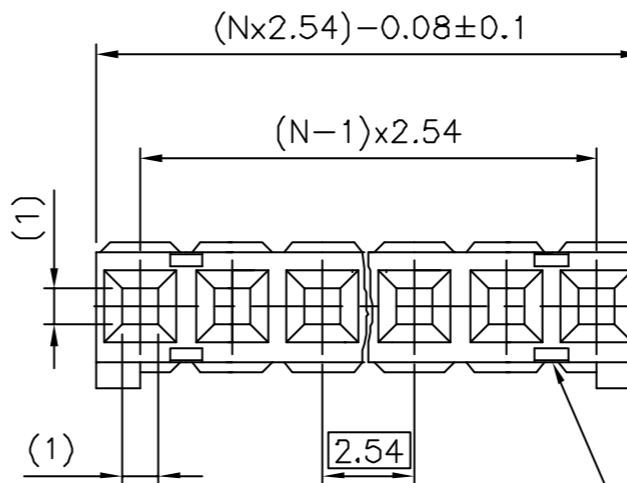
PRODUCT NUMBER

65240-0XXLF

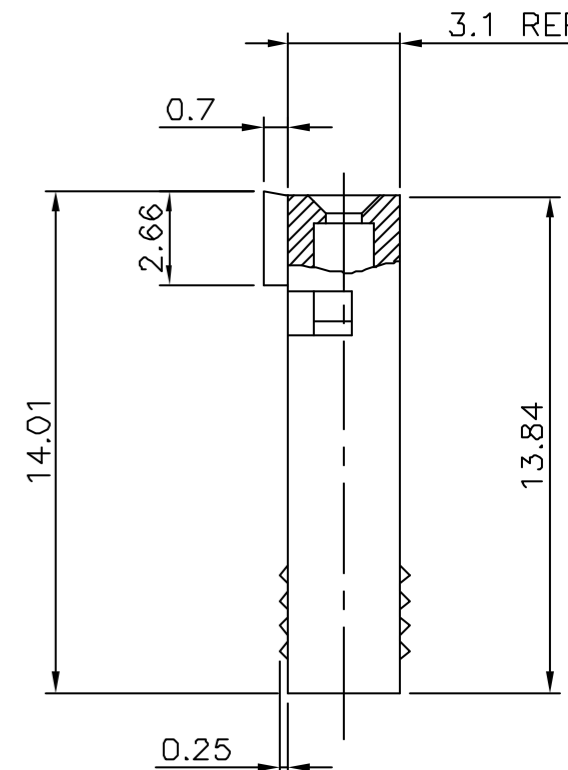
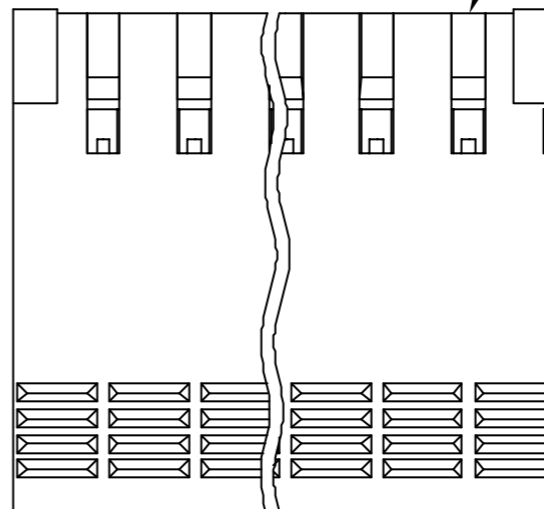
WHEN NEEDED, SUFFIX LETTER "LF"
INDICATES THE PRODUCT IS RoHS
COMPLIANT, SEE NOTE 6

NUMBER OF CAVITIES PER ROW: 02 TO 36.

PLASTIC MATERIAL.



SEE NOTE 2



NOTES:

- 1 - HOUSING MAT'L: THERMOPLASTIC GLASS FILLED
FLAME RETARDANT PER UL 94 V-0 COLOR: BLUE.
- 2 - OVER DASH -007 ONLY FIRST AND
LAST THREE POSITIONS MUST HAVE
GROOVES ON TWO SIDES.
- 3 - PRODUCT PACKED IN PLASTIC BAG.
- 4 - TO DETERMINE DIMENSIONS:
N = NUMBER OF POSITIONS
EXAMPLE: 8 POS: $(N \times 2.54) - 0.08 = 20.24$ mm.
- 5 - FOR TECHNICAL APPLICATION SEE TA317.
- 6 - RoHS COMPATIBLE PRODUCT SPECIFICATIONS

a - LABELING:

- MEETS PACKAGING SPECS AS PER GS-14-920

b - LEGAL STATEMENT: SEE GS-22-008

THE PRODUCT IS NOT INTENDED TO BE EXPOSED TO A
MANUFACTURING SOLDER PROCESS.

mat'l. code SEE NOTE		surface ISO 1302 ✓		tolerance ISO 406 ISO 101		projection mm		product family DUBOX			
Ltr	ecn no	dr	date	tolerances unless otherwise specified		mm		title CtW HOUSING SR			
P	F06-0146	DLE	06.03.10	angles	linear	±0.3		scale 5:1			
R	F06-0225	DLE	06.07.07	±2°							
S	F07-0168	PNZ	07.04.02								
		dr	G CORBOZ	01.01.05					dwg no		
L	F05-0169	DLE	05.04.07	engr	P NIZZI	01.01.05	FCJ		sheet 1 of 1		
M	F05-0236	DLE	05.08.24	chr	JF NOTTEAU	01.01.05			65240		A3
N	F05-0286	DLE	05.11.07	appd	P NZ	01.01.05			CUSTOMER Drawing		
sheet index	revision sheet										