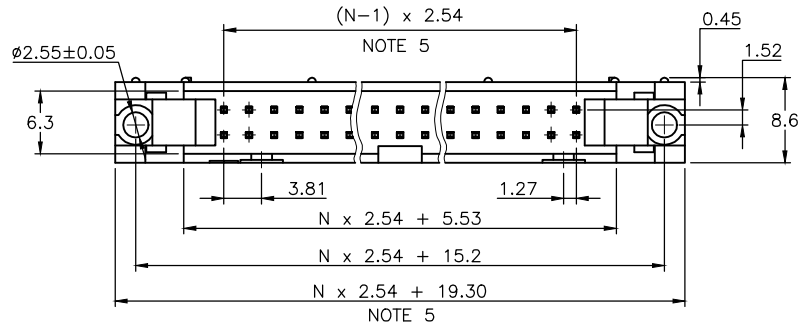


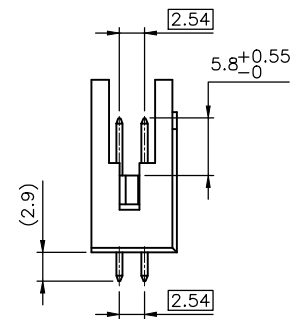
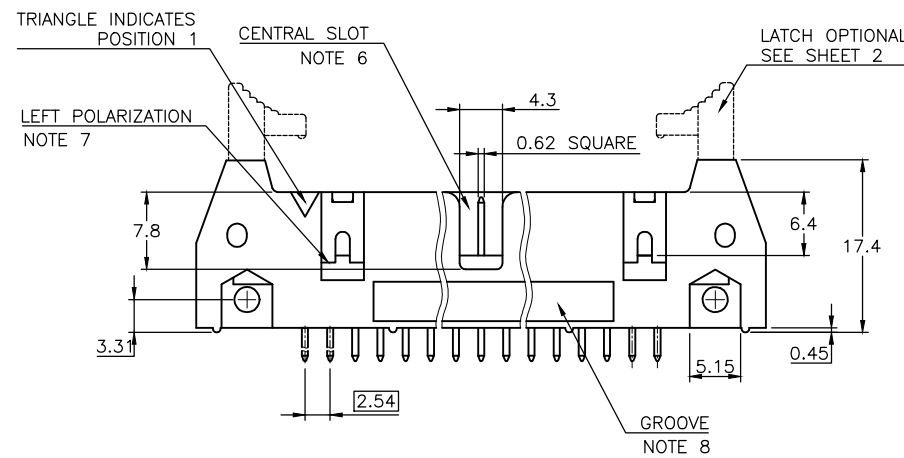
PRODUCT NUMBER
71918-YXXZZLF

- RoHS COMPATIBLE, SEE NOTE 10
- S= SPECIFIC CUSTOMER PLATING OPTION.
- COLOR OPTION, SEE NOTE 1
- TOTAL NB OF POSITIONS, SEE SHEET 2
- LATCHING
- 0= WITHOUT LATCH
- 1= STANDARD LATCH
- 2= LOW PROFILE LATCH

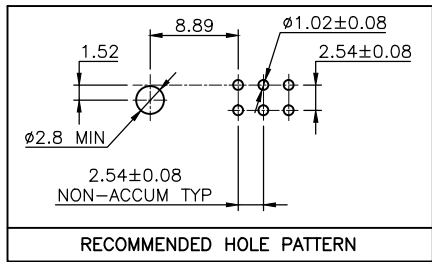


NOTES:
1 - HOUSING MATERIAL: GLASS FILLED THERMOPLASTIC UL94V-0
= STANDARD COLOR GREY
B = OPTION COLOR BLACK

- 2 - PIN MATERIAL : PHOSPHOR BRONZE
- 3 - PRODUCT PACKAGED IN TUBES
- 4 - 40N MIN LATCH RETENTION FORCE AT FIRST EXTRACTION
- 5 - TO DETERMINE DIMENSIONS :
N = NUMBER OF POSITIONS PER ROW
EXAMPLE : 8 POS $N \times 2.54 = 20.32\text{mm}$
- 6 - NO CENTRAL SLOT ON POSITIONS 6 & 8
- 7 - NO LEFT POLARIZATION ON POSITIONS 06, 08, 10, 14.
- 8 - NO GROOVE ON POSITIONS 06, 08, 10, 14, 30, 34
- 9 - 4.5mm SOLDER TAIL
ORDER 71918-4XX (WITH STANDARD LATCH ONLY)
- 10 - RoHS COMPATIBLE PRODUCT SPECIFICATIONS



- a - PLATING:
 - "LF" MEANS THE PRODUCT IS LEAD-FREE, 2 μm MINIMUM MATTE TIN OVER 1.27 μm MINIMUM NICKEL UNDERPLATE.
- b - MANUFACTURING PROCESS COMPATIBILITY
 - THE HOUSING WILL WITHSTAND EXPOSURE TO 260°C $\pm 5^\circ\text{C}$ SOLDER BATH TEMPERATURE FOR 5 SECONDS IN A WAVE SOLDER APPLICATION WITH A 1.6mm MIN THICK CIRCUIT BOARD.
- c - LABELING:
 - MEETS PACKAGING SPECS AS PER GS-14-920
- d - LEGAL STATEMENT: SEE GS-47-0004.



mat'l. code		surface		tolerance		projection		product family	
SEE NOTES		ISO 1302 <input checked="" type="checkbox"/>		ISO 406 ISO 1101				QUICKIE	
ltr	ecn no	dr	date	tolerances unless otherwise specified		mm		title	
Y	F12-0838	LMU	12.12.06	angles	linear	.X ± 0.3	SHR.EL.HEADER		
AA	B-16776	LMU	14.01.23			.XX ± 0.13	STR DR TMT		
AB	B-17853	LMU	14.06.05			.XXX ± 0.05	scale 2:1		
AC	B-19091	LMU	14.10.16	dr	D.LE	01.01.24	dwg no		
AD	B-20412	BVE	15.03.10	enrg	JM.C	01.01.24	71918		
				chr	JF.N	01.01.24	sheet 1 of 2 size		
X	F12-001	LMU	12.02.06	appd	JM.C	01.01.24	A3		
sheet	revision	AD	X					type	
index	sheet	1	2					CUSTOMER Drawing	

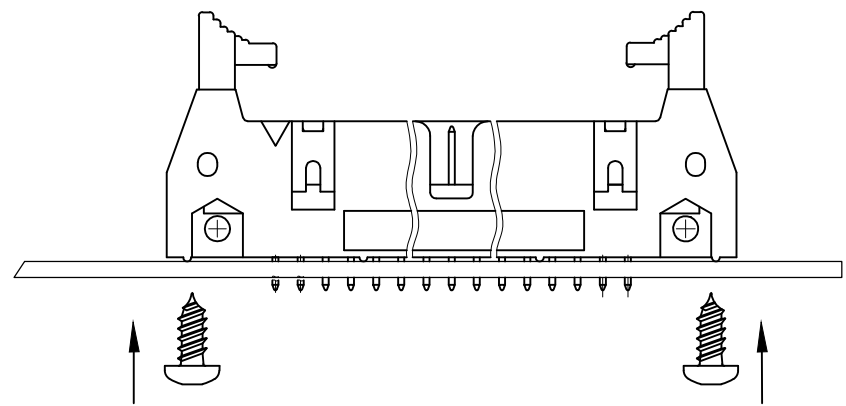
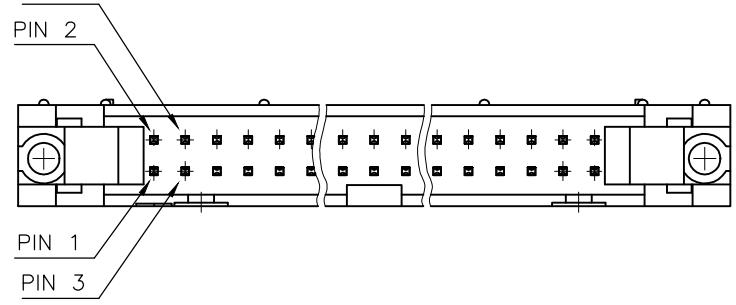
Copyright FCI
FCIconnect.com

PRODUCT NUMBER	SIZE	LATCHING AVAILABILITY	MISSING PIN POSITIONS
71918-X06(B)LF	2x3	0/1/2	
71918-X08(B)LF	2x4	0/1/2	
71918-X10(B)LF	2x5	0/1/2	
71918-X14(B)LF	2x7	0/1/2	
71918-X16(B)LF	2x8	0/1/2	
71918-X18(B)LF	2x9	0/1/2	
71918-X20(B)LF	2x10	0/1/2	
71918-X26(B)LF	2x13	0/1/2	
71918-X27(B)LF	2x13	0/1/2	PIN 21 & 22
71918-X28(B)LF	2x13	0/1/2	PIN 5 to 12
71918-X30(B)LF	2x15	0/1/2	
71918-X34(B)LF	2x17	0/1/2	
71918-X35(B)LF	2x17	0/1/2	PIN 2 & 3
71918-X40(B)LF	2x20	0/1/2	
71918-X44(B)LF	2x22	0/1/2	
71918-X50(B)LF	2x25	0/1/2	
71918-X51(B)LF	2x25	0/1/2	PIN 39 to 46
71918-X60(B)LF	2x30	0/1/2	
71918-X64(B)LF	2x32	0/1/2	

PLATING :

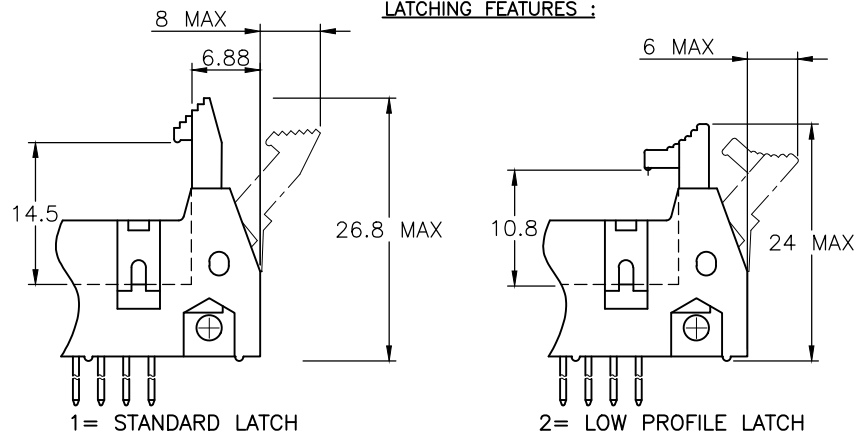
- 0.76µm GOLD/GXT
(PdNi WITH GOLD FLASH) ON CONTACT AREA
- 2µm MIN MATTE TIN ON TAIL
- UNDERPLATE : 1.27µm Ni MIN

PIN POSITION INDICATION FOR POLARIZED VERSIONS



WHEN THE CONNECTORS NEED TO BE FIXED ON THE PCB'S
THE STAINLESS SCREWS REF TC POZI DIN7981 Ø2.9 X 6.5MM
TO BE USED

LATCHING FEATURES :



mat'l. code		surface <input checked="" type="checkbox"/> ISO 1302 <input checked="" type="checkbox"/> tolerance <input checked="" type="checkbox"/> ISO 406 <input checked="" type="checkbox"/> ISO 1101		projection		product family QUICKIE	
ltr	ecn no	dr	date	tolerances unless otherwise specified		title	
R	F07-0195	LMU	07.05.25	.X	±0.3	SHR.EL.HEADER	
S	F08-0146	YOV	08.04.11	angles	Linear	.XX	±0.15
T	F12-0011	LMU	12.02.06			.XXX	±0.05
U	F12-0838	LMU	12.12.06	dr	D.LE	01.01.24	
V	B-16776	LMU	14.01.23	enrg	JM.C	01.01.24	
W	B-19091	LMU	14.10.16	chr	JF.N	01.01.24	
X	B-20412	BVE	15.03.10	appd	JM.C	01.01.24	
sheet index	revision	sheet					



dwg no 71918 sheet 2 of 6 size A3
type CUSTOMER Drawing