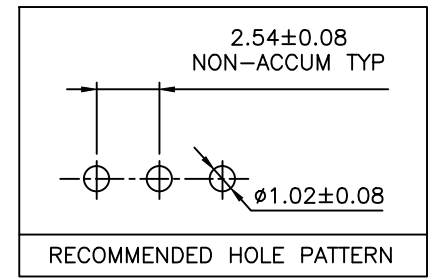
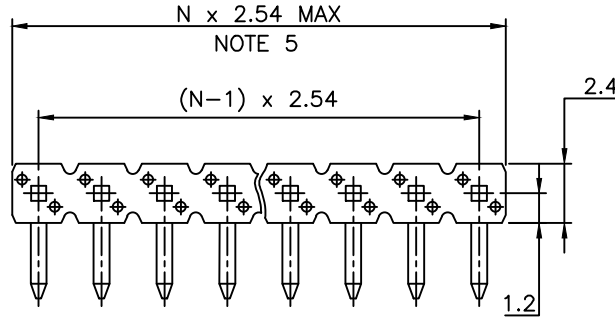


PRODUCT NUMBER

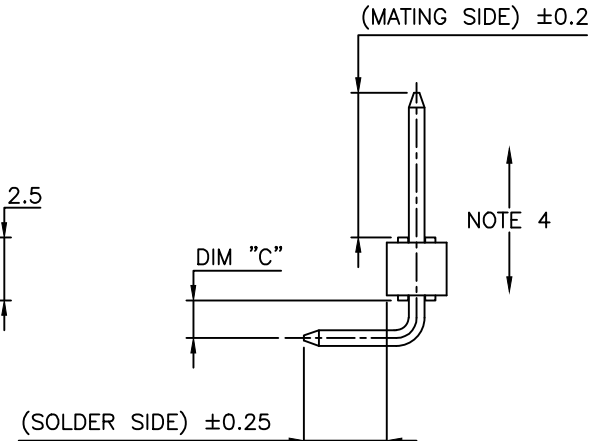
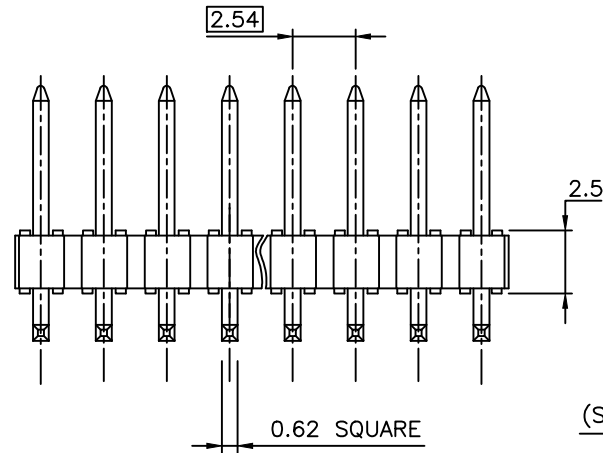
77315-YXX-XXLF

- RoHS COMPATIBLE  
SEE NOTE 7
- TOTAL NB OF POSITIONS 01 TO 36
- PACKAGING, NOTE 3
- PIN STYLE SEE SHEET 2
- PLATING SEE SHEET 2



NOTES:

1. HOUSING MAT'L : HIGH TEMPERATURE THERMOPLASTIC. UL94V-0 COLOR: BLACK
2. PIN MATERIAL : PHOSPHOR BRONZE
3. PACKAGING:
  - PACKAGING POLYBAG
  - "V" BLIBOX PACK FOR CUSTOMER DEDICATED PART
4. 9N MIN RETENTION IN EITHER DIRECTION
5. TO DETERMINE DIMENSIONS :  
N = NUMBER OF POSITIONS PER ROW  
EXAMPLE : 8 POS N x 2.54 = 20.32mm
6. UNDERPLATING : 1.27µm Ni MIN
7. RoHS COMPATIBLE PRODUCT SPECIFICATIONS
  - a - PLATING:
    - "LF" MEANS THE PRODUCT IS LEAD-FREE, 2µm MINIMUM MATTE TIN OVER 1.27µm MINIMUM NICKEL UNDERPLATE.
  - b - MANUFACTURING PROCESS COMPATIBILITY
    - THE HOUSING WILL WITHSTAND EXPOSURE TO 260°C ±5°C SOLDER BATH TEMPERATURE FOR 5 SECONDS IN A WAVE SOLDER APPLICATION WITH A 1.6mm MIN THICK CIRCUIT BOARD.
  - c - LABELING:
    - MEETS PACKAGING SPECS AS PER GS-14-920
  - d - LEGAL STATEMENT: SEE GS-47-0004



mat'l. code SEE NOTES				surface ISO 1302 ✓		tolerance ISO 406 ISO 1101		projection mm		product family BERGSTIK		
ltr	ecn no	dr	date	tolerances unless otherwise specified		.x ±0.3		mm		title		
AK	B-15093	JCO	13.06.28	angles	linear	.xx ±0.15		mm		UNSHR.HEADER		
AL	B-15388	LMU	13.07.31			.xxx ±0.05		scale 5:1		RA SR TMT		
AM	B16178	JCO	13.10.31							dwg no		
AN	B-17109	JCO	14.03.06	dr	D.LE	01.01.24				sheet 1 of 2		
AP	B-17839	JCO	14.06.03	enr	JM.C	01.01.24				size		
AR	B-18916	LMU	14.09.26	chr	JM.C	01.01.24				A3		
AS	B-19715	BVE	14.12.11	appd	JF.N	01.01.24				77315		
sheet index		revision	AS	AM							type	
		sheet	1	2							CUSTOMER Drawing	

PLATING

- 1 = 0.76µm GOLD/GXT ON CONTACT AREA, 2µm TIN MIN ON TAIL
- 4 = 2µm TIN MIN FULL PLATED
- 5 = 0.25µm GOLD/GXT ON CONTACT AREA, 2µm TIN MIN ON TAIL
- 8 = 0.38µm GOLD/GXT ON CONTACT AREA, 2µm TIN MIN ON TAIL
- G = 0.76µm FULL GXT
- S = 0.38µm FULL GXT
- 1.27µm NICKEL MIN UNDERLAYER FOR ALL PLATING VERSIONS

PRODUCT SPECIFICATIONS			
PIN STYLE	MATING	SOLDER	DIM "C"
01	5.72	2.57	1.5
02	5.72	5.11	1.5
07	5.72	5.11	3.9
13	5.72	3.45	1.5
18	5.84	3.05	1.5
22	11.71	3.2	1.5
24	6.75	2.85	1.5
25	8.07	3.05	1.5
26	8.2	12.6	1.5
27	5	3.9	1.5
28	3.1	3.1	1.5
29	9.7	2.90	1.5
30	8.30	4.40	1.5
31	11.70	2.80	1.5
32	8.90	3.05	1.5
33	10.20	3.05	1.5
34	10.00	3.25	1.5
35	5.72	12.73	1.5
36	N/A		
37	N/A		
38	8.51	5.51	1.5
39	9.80	9.30	1.5
40	8.13	2.54	3.90
41	14.20	3.05	1.5
42	9.00	7.20	1.5
43	8.08	2.79	1.5
44	15.70	2.79	1.5

mat'l. code				surface		tolerance		projection		product family	
SEE NOTES				ISO 1302		ISO 406 ISO 1101				BERGSTIK	
ltr	ecn no	dr	date	tolerances unless otherwise specified		.x ±0.3		mm		title	
AG	F12-0095	LMU	12.10.25	angles	linear	.xx ±0.15				UNSHR.HEADER	
AH	B-15093	JCO	13.06.28			.xxx ±0.05		scale 5:1		RA SR TMT	
AJ	B-15388	LMU	13.07.31							dwg no	
AK	B-16178	JCO	13.10.31	dr	D.LE	01.01.24				sheet 2 of 2	
AL	B-17109	JCO	14.03.06	enr	JM.C	01.01.24				size	
AM	B-18916	LMU	14.09.26	chr	JM.C	01.01.24				A3	
				appd	JF.N	01.01.24				type	
sheet	revision									CUSTOMER Drawing	
index	sheet										



Copyright FCI