

A

B

C

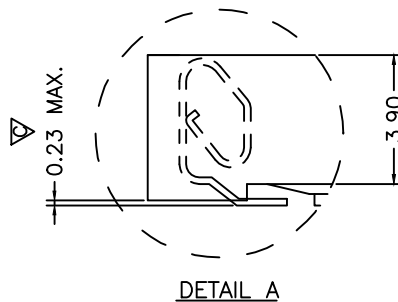
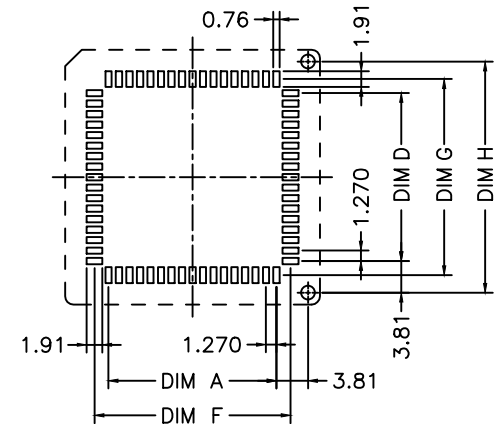
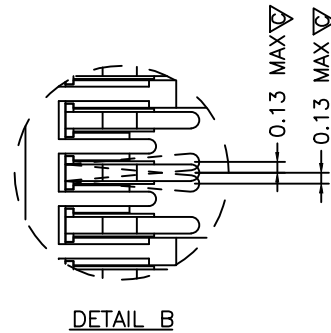
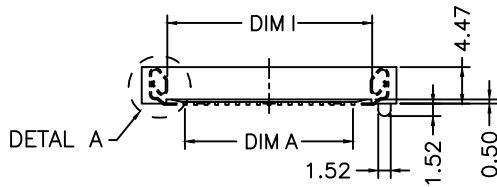
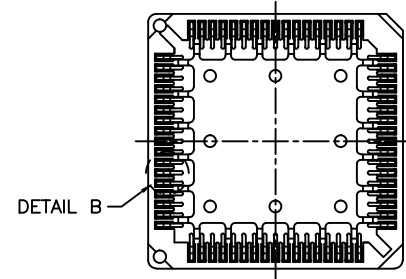
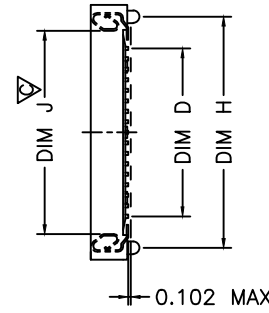
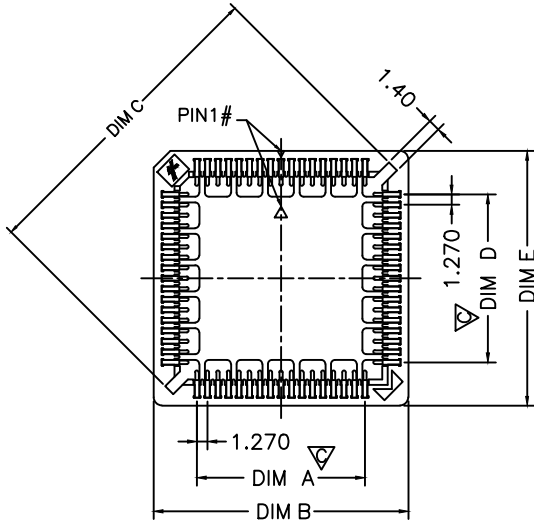
D

A

B

C

D



NOTE: DIMENSIONAL MARK ∇ TO BE CHECKED BY OQC.

rev	ecn no	dr	date
AG	ELX-I-20939	SAL	5/21/15
-	-	-	-
AB	T05-0017	JH	1/24/05
AC	T05-0114	JH	5/9/05
AD	T05-0212	JH	9/21/05
AE	T06-0070	JH	5/8/06
AF	T11-0002	JH	1/11/11

www.fciconnect.com		surface <input checked="" type="checkbox"/> tolerance std	projection	MM
		TOLERANCES UNLESS OTHERWISE SPECIFIED		
Dr	Jason Hsu	1/11/11	ANGULAR	LINEAR
Eng	Jason Hsu	1/11/11	0.X	± 0.25
Chr	S Alosius	5/21/15	0.XX	± 0.15
Appr	Biju K Paul	5/21/15	0.XXX	± 0.10
Product family			size	A4
			ECN	ELX-I-20939
			Spec ref	
		title		PLCC SMT Socket
catalog no		dwg no		69802
		Rev.		AG
		CUSTOMER		sheet 1 of 5



Copyright FCJ.

A

TABLE I

NO. OF CONTACTS	DIM. A ±0.20	DIM. B ±0.20	DIM. C ±0.20	DIM. D ±0.20	DIM. E MAX.	DIM. F ±0.10	DIM. G ±0.10	DIM. H ±0.20	DIM. I ±0.20	DIM. J ±0.20
32	7.62	17.78	22.50	10.16	20.32	11.02	13.56	17.78	11.94	14.48
44	12.70	22.86	27.50	12.70	22.86	16.10	16.10	20.32	17.02	

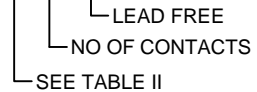
B

TABLE II

PART NO.	WITH POLARIZING PEGS	PACKAGING BY PVC TUBE	PACKAGING BY TAPE & REEL	MCK PART NO.
69802-0XXLF	✓	✓		PLCC-XXP-T-SMT-P-LF
69802-1XXLF		✓		PLCC-XXP-T-SMT-LF
69802-4XXLF			✓	PLCC-XXP-T-SMT-TR-LF

NOTE:

ORDERING DATA: 69802 - X XX LF



 LEAD FREE
 NO OF CONTACTS
 SEE TABLE II

A

B

C

D



Copyright FCI.

D

www.fciconnect.com			surface - ✓	tolerance std	projection	MM	
			TOLERANCES UNLESS OTHERWISE SPECIFIED				
Dr	Jason Hsu	1/11/11	ANGULAR	LINEAR	0.X ± 0.25	size A4	
Eng	Jason Hsu	1/11/11			0.XX ± 0.15	Scale N/A	
Chr	S Alosius	5/21/15	0° ±5°		0.XXX ± 0.10	ECN ELX-I-20939	
Appr	Biju K Paul	5/21/15	Product family		Spec ref		
			title PLCC SMT Socket			dwg no 69802	Rev. AG
			catalog no -			CUSTOMER	sheet 2 of 5

NOTES:

1. MATERIAL:

1-1 HOUSING : PPS GB8411,UL94V-0 COLOR IN BROWN.
 PLATING : 150u" LEAD FREE TIN MIN. OVER 40u" NICKEL MIN.
 CONTACT : PHOSPHOR BRONZE C5212RH.

2. THE "FCI" LOGO IS LOCATED AS SHOWN.

3. RECOMMEND PCB LAYOUT IS SHOWN IN FIG.1.

4. COPLANARITY REQUIREMENT;

- A. CONTACT MUST BE BELOW HOUSING BOTTOM SURFACE WITHIN 0.23MM.
- B. CONTACT SEATING LINE MUST BE WITHIN 0.102MM.

5. THE POSITION OF PIN#1 IN THE CENTER PAD IS AS SHOWN.

6. THE PACKAGING INFORMATION SHOWS ON SHEET 4 &5.

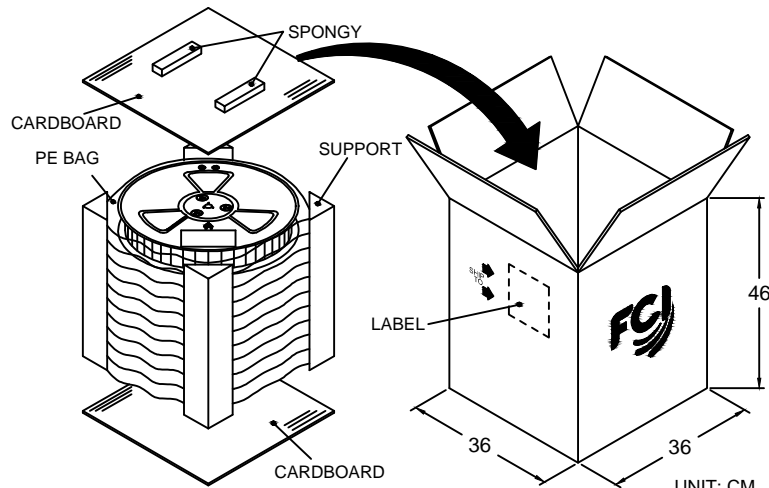
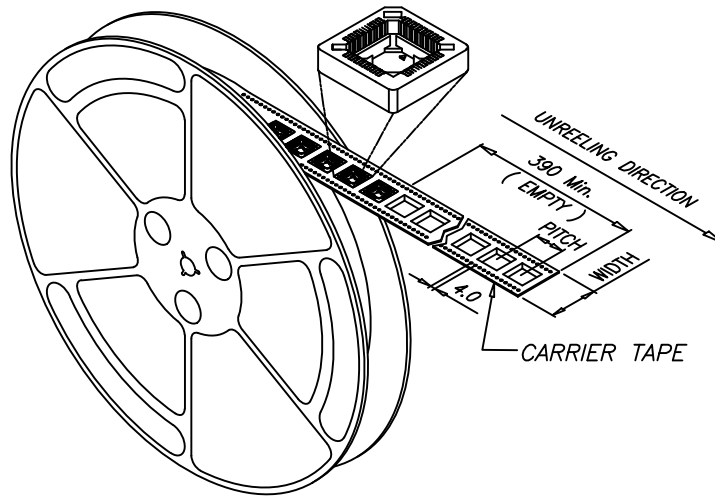
7. PRODUCT SPECIFICATION; GES-12-158.

8. MANUFACTURING PROCESS COMPATIBILITY: THE HOUSING WILL WITHSTAND EXPOSURE TO 245°C PEAK TEMPERATURE FOR 5 SECOND IN A IR REFLOW APPLICATION.



Copyright FCI.

www.fciconnect.com			surface <input checked="" type="checkbox"/> tolerance std		projection		MM		
			TOLERANCES UNLESS OTHERWISE SPECIFIED						
Dr	Jason Hsu	1/11/11	ANGULAR	LINEAR	0.X	± 0.25	size	Scale	
Eng	Jason Hsu	1/11/11	° ±5°		0.XX	± 0.15	A4	N/A	
Chr	S Alosius	5/21/15			0.XXX	± 0.10	ECN	ELX-I-20939	
Appr	Biju K Paul	5/21/15	Product family			Spec ref			
			title PLCC SMT Socket				dwg no 69802		Rev. AG
			catalog no -			CUSTOMER		sheet 3 of 5	



PACKING FOR 32P & 44P

TABLE III

NO. OF PIN.	WIDTH	PITCH	PCS/REEL	REEL/CARTON	TOTAL (PCS)
32P	32.0	24.00	390	10	3900
44P	44.0	32.00	250	8	2000

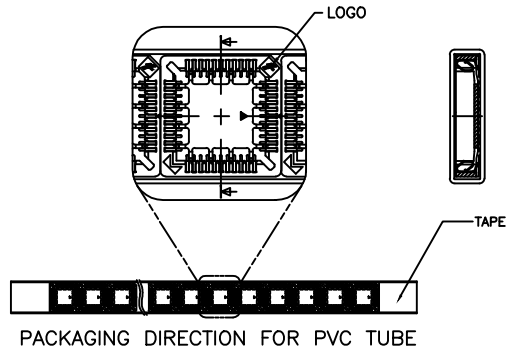
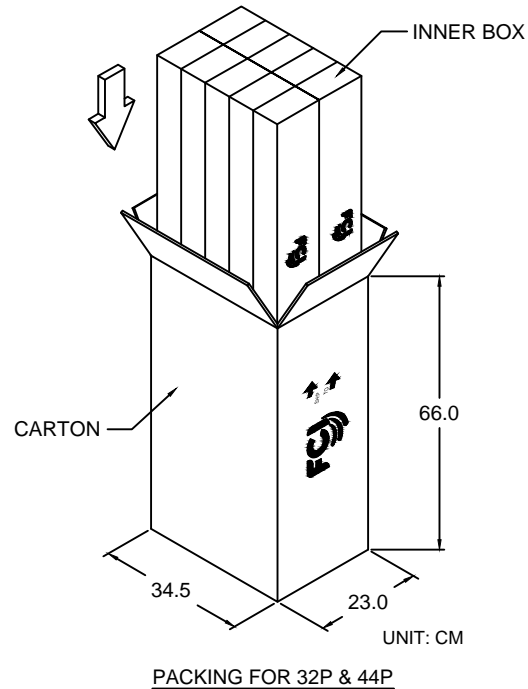
*REEL DIAMETER: \varnothing 13 in"

www.fciconnect.com			surface <input checked="" type="checkbox"/> tolerance std		projection		MM	
			TOLERANCES UNLESS OTHERWISE SPECIFIED					
Dr	Jason Hsu	1/11/11	ANGULAR	LINEAR	0.X	± 0.25	size	A4
Eng	Jason Hsu	1/11/11			0.XX	± 0.15		Scale
Chr	S Alosius	5/21/15	0° $\pm 5^\circ$		0.XXX	± 0.10		N/A
Appr	BiJu K Paul	5/21/15	Product family			ECN ELX-I-20939		
			Spec ref					
			title PLCC SMT Socket			dwg no 69802		Rev. AG
			catalog no -			CUSTOMER		sheet 4 of 5



TABLE IV

A / P PART NO.	69802-X32X	69802-X44X
DESCRIPTION	32P	44P
PCS / TUBE	28	25
PCS / INNER BOX	728	500
INNER BOX / CARTON (WITH SOCKET)	10	10
INNER BOX / CARTON (W / O SOCKET)	0	0
TOTAL (PCS)	7280	5000
N.W.	10.0 KG	8.5 KG
G.W.	18.0 KG	17.0 KG



www.fciconnect.com		surface - <input checked="" type="checkbox"/>	tolerance std	projection	MM
		TOLERANCES UNLESS OTHERWISE SPECIFIED			
Dr	Jason Hsu	1/11/11	ANGULAR	0.X	± 0.25
Eng	Jason Hsu	1/11/11	LINEAR	0.XX	± 0.15
Chr	S Alosius	5/21/15	0° ±5°	0.XXX	± 0.10
Appr	Biju K Paul	5/21/15	Product family	size A4	Scale N/A
				ECN ELX-I-20939	Spec ref
		title PLCC SMT Socket		dwg no 69802	Rev. AG
catalog no		-		CUSTOMER	sheet 5 of 5



Copyright FCJ.