

A

B

C

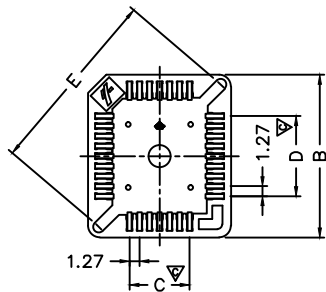
D

A

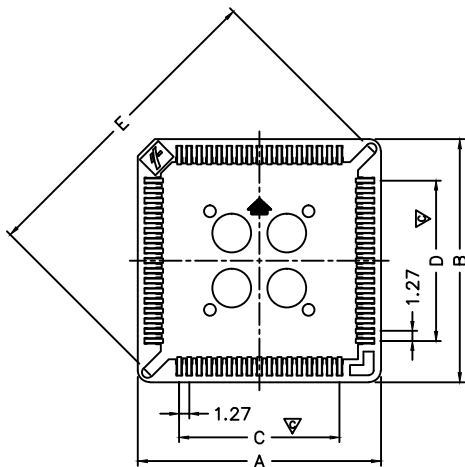
B

C

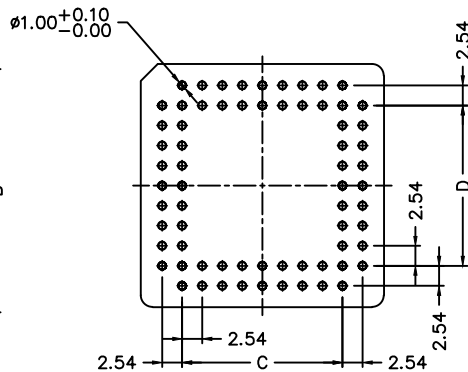
D



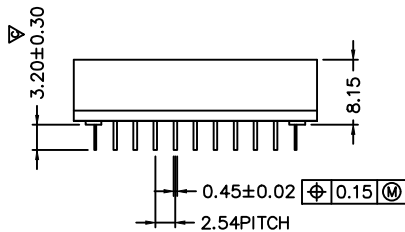
ABOVE FOR 32 COUNTS ONLY



ABOVE FOR 44 AND 68 COUNTS



(RECOMMENDED PCB LAYOUT)



NOTES:

1 MATERIAL:

HOUSING: PPS UL94 V-0, Brown.  
CONTACT: Copper Alloy.

2 FINISH:

CONTACT: 100 μm Min. Lead free Tin plated on soldering end over 50 μm Min. Nickel under-plating.

3 ORDER INFORMATION:

54020-XX 0 3 0 LF

Series No.   Lead Free.  
 No. of Contacts:   Post/Packaging:  
 32 44 68  0-Without Post/In tube package.  
 Contact plated:   Housing Material/Color:  
 0-Tin alloy plated.  3-PPS/Brown.

4 SPECIFICATION:

Current Rating: 1A Max.  
Dielectric Strength: 600V AC RMS for 1 minute.  
Contact Resistance: 20 mΩ MAX.  
Insulator Resistance: 1000MΩ min. at 500V DC.  
Temperature: -40°C to +105°C  
Durability: 25 Cycles.

5 PRODUCT SPECIFICATION: GES-12-054.

6 MANUFACTURING PROCESS COMPATIBILITY

The housing will withstand exposure to 245°C solder bath temperature for 5 second in a wave solder application.

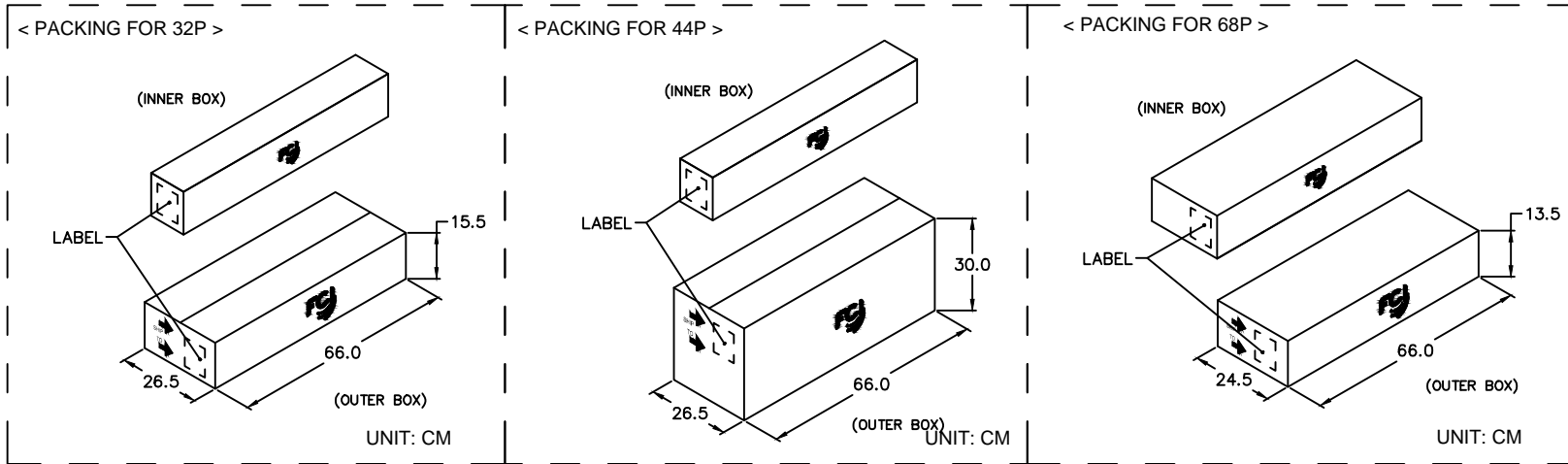
A/P PART NO.	Dimension(mm)					MCK PART NO.
	A±0.2	B±0.2	C±0.1	D±0.1	E±0.2	
54020-32030LF	17.80	20.20	7.62	10.16	23.85	PLCC-32P-T
54020-44030LF	23.18	23.18	12.70	12.70	29.00	PLCC-44P-T
54020-68030LF	30.88	30.88	20.32	20.32	40.00	PLCC-68P-T-2



Copyright FCI.

rev	ecn no	dr	date
K	ELX-I-20940	SAL	5/21/15
-	-	-	-
E	T05-0114	JH	5/9/05
F	T05-0212	JH	9/21/05
G	T10-0010	JH	1/25/10
H	T11-0002	JH	1/11/11
J	T11-0018	JH	3/25/11

www.fciconnect.com		surface <input checked="" type="checkbox"/>	tolerance std	projection	MM
		TOLERANCES UNLESS OTHERWISE SPECIFIED			
Dr	Jason Hsu	1/11/11	ANGULAR	size A4	Scale N/A
Eng	Jason Hsu	1/11/11	LINEAR	0.X ± 0.25	
Chr	S Alsius	5/21/15	0° ± 5°	0.XX ± 0.15	
Appr	Biju K Paul	5/21/15	Product family	0.XXX ± 0.10	ECN ELX-I-20940
FCI		title PLCC DIP Socket		Spec ref	
catalog no		-		dwg no 54020	Rev. K
		CUSTOMER		sheet 1 of 2	



DIP PLCC PACKING LIST FOR TUBE=612mm							
CONTACTS	PCS/TUBE	TUBE / INNER BOX	PCS / INNER BOX	INNER BOX / OUTER BOX	PCS / OUTER BOX	N.W.(KGS)	G.W.(KGS)
32P	28	42	1176	2	2352	6.5	9.9
44P	25	35	875	4	3500	13.4	20.9
68P	18	42	756	1	756	4.4	7.8

www.fciconnect.com		surface - <input checked="" type="checkbox"/>	tolerance std	projection	MM
		TOLERANCES UNLESS OTHERWISE SPECIFIED			
Dr	Jason Hsu	1/11/11	ANGULAR	0.X	± 0.25
Eng	Jason Hsu	1/11/11	LINEAR	0.XX	± 0.15
Chr	S Alsius	5/21/15	0° ±5°	0.XXX	± 0.10
Appr	Biju K Paul	5/21/15	Product family		ECN ELX-I-20940
				Spec ref	
	title PLCC DIP Socket		dwg no 54020		Rev. K
catalog no -		CUSTOMER		sheet 2 of 2	



Copyright FCI.